



**(An Autonomous Institution - AFFILIATED TO ANNA UNIVERSITY, CHENNAI)**

**S.P.G.Chidambara Nadar - C.Nagammal Campus**

**S.P.G.C. Nagar, K.Vellakulam - 625 701 (Near VIRUDHUNAGAR).**

**DEPARTMENT OF MECHANICAL ENGINEERING**

**Value Added Course**

**on**

**CATIA**

Academic Year : 2023-2024 (ODD Semester)

Date : 31.07.2023 to 05.08.2023

Duration : 45 Hours

Organized by : Inventatec, Chennai

*m.e.h*  
Coordinator

*S. J. K. O. L.*  
*08/08/23*  
HoD/Mech

*N.S. - San*  
*2023*  
Dean (Academic Courses)

# KAMARAJ

## COLLEGE OF ENGINEERING & TECHNOLOGY



(An Autonomous Institution - AFFILIATED TO ANNA UNIVERSITY, CHENNAI)

S.P.G.Chidambara Nadar - C.Nagammal Campus

S.P.G.C. Nagar, K.Vellakulam - 625 701 (Near VIRUDHUNAGAR).

### DEPARTMENT OF MECHANICAL ENGINEERING

Content	Details
Academic Year	2023-2024 (ODD Semester)
Date	31.07.2023 to 05.08.2023
Name of the Value-added course	CATIA
Duration	45 Hours
No of Credit	2 Credit
Category	Theory (15 Hours) and Lab (30 hours)
Organized by	Inventatec, Chennai
External Coordinator	Er. Jaffar T, Application Engineer, Inventatec, Chennai.
Three Member Committee Members	1. Dr. S. Thanga Kasi Rajan, ASP& HoD/Mech 2. Er.R.Sakthivel Murugan, AP/Mech 3. Er. N.R. Madhan, AP/Mech
Internal Coordinators	Er. N.R. Madhan, AP/Mech

*N.R. Madhan*  
Coordinator

*J. Jaffar T*  
08/08/23  
HoD/Mech

*N.S. - San*  
*08/08/23*  
Dean (Academic Courses)



## Value Added Course | CATIA |

Madhan.N.R <madhanmech@kamarajengg.edu.in>

Mon 7/31/2023 10:17 AM

To:21UME <21ume@kamarajengg.edu.in>

Dear students,

Our department is planned to organise value added course on "CATIA" from 31.07.2023 to 05.08.2023. You are instructed to avoid absenteeism and make use of this opportunity effectively. Trainer from Inventatec, Chennai is going to deliver his lecturer.

Thanking you.

With Regards,

**Madhan N R,**

Assistant Professor,

Mechanical Department,

**KAMARAJ**

College of Engg and Tech,

Virudhunagar.

---



(An Autonomous Institution - AFFILIATED TO ANNA UNIVERSITY, CHENNAI)  
S.P.G. Chidambaram Road - C Nagarwal Campus  
S.P.G.C. Nagar, K. Velakulam - 625 701 (Near VIRUDHUNAGAR)

### Department of Mechanical Engineering

Title of the Program : Value Added Course on "CATIA"

Date: 31.07.2023 to 05.08.2023

Participants : III year (2021 – 2025 Batch)

Academic Year: 2023 - 2024

Conducted by : Inventatec, Chennai

Venue : KCER-MECH-CAD Lab

### Syllabus

#### Introduction

Creating Construction – Standard Element Applying Geometrical – Dimensional Constraints Understanding User Selection Filter toolbar; Understanding Visualization Toolbar - Cut part by Sketch Plane - 3D Element visualization - 2D Element visualization – Diagnostics.

#### Sketcher Mode

Dimensional Constraints - Geometrical Constraints - Editing Profile using Corner – Chamfer - Re-limitations – Transformation - 3D Geometry - Understanding Constraints Constraints - Constraint Creation - Contact Constraint - Fix together - Auto Constraint - Animate Constraint - Edit Multi Constraint Sketch Analysis

#### Part Modelling

Creating Sketch - Based Features - Pad Definition - Drafted Filleted Pad Definition - Pocket Definition - Drafted Filleted Pocket - Shaft Definition - Groove Definition - Hole Definition - Creating Reference Element - Plane Definition - Rib Definition - Slot Definition - Stiffener Definition - Solid Combine Definition - Applying Dress-Up Features - Edge Fillet Definition - Variable Fillet Definition - Chordal Fillet Definition - Face-Face Fillet Definition - Tritangent Fillet Definition - Chamfer Definition - Multi-Sections Solid Definition - Removed Multi-Section Solid Definitions

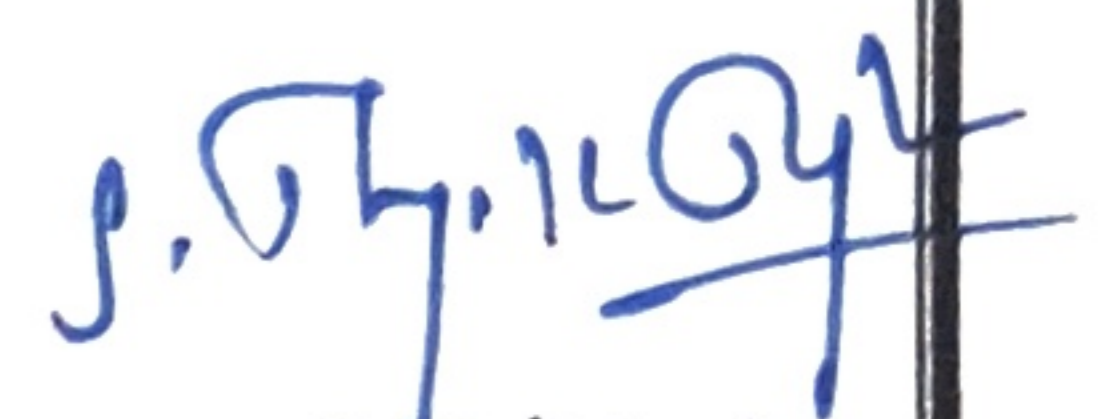
#### Part Editing

Applying Dress-Up Features - Edge Fillet Definition - Variable Fillet Definition - Chordal Fillet Definition - Face-Face Fillet Definition - Tritangent Fillet Definition - Chamfer Definition - Multi-Sections Solid Definition - Removed Multi-Section Solid Definition - Draft Definition - Draft Reflect Line Definition - Variable Angle Draft Definition – Shell Definition - Thickness Definition - Thread/Tap Definition - Remove/Replace Face Definition

#### Assembly Design

Understanding Top Down & Bottom Up Approach Understanding Product Structure Tools - New Component - New Product - New Part - Existing Component - Existing Component with Positioning Understanding Constraints Toolbar - Coincidence Constraints - Contact Constraints - Offset Constraints - Angle Constraints - Fix Component - Fix Together - Quick Constraint - Flexible/Rigid Sub-Assembly - Change Constraint - Reuse Pattern Understanding Move Toolbar - Manipulation - Snap/Smart Move - Explode - Stop Manipulate on Clash Understanding Product Structure Tools - Replace Component - Graph tree Reordering - Generate Numbering - Selective Load - Manage Representations - Multi Instantiation

  
Coordinators

  
HOD/Mech

## Department of Mechanical Engineering

Title of the Program : Value Added Course on "CATIA"

Date: 31.07.2023 to 05.08.2023

Participants : III year (2021 – 2025 Batch)

Academic Year: 2023 - 2024

Conducted by : Inventatec, Chennai

Venue : KCER-MECH-CAD Lab

## Approval of Board of Study Meeting

Board of Study Meeting: VI

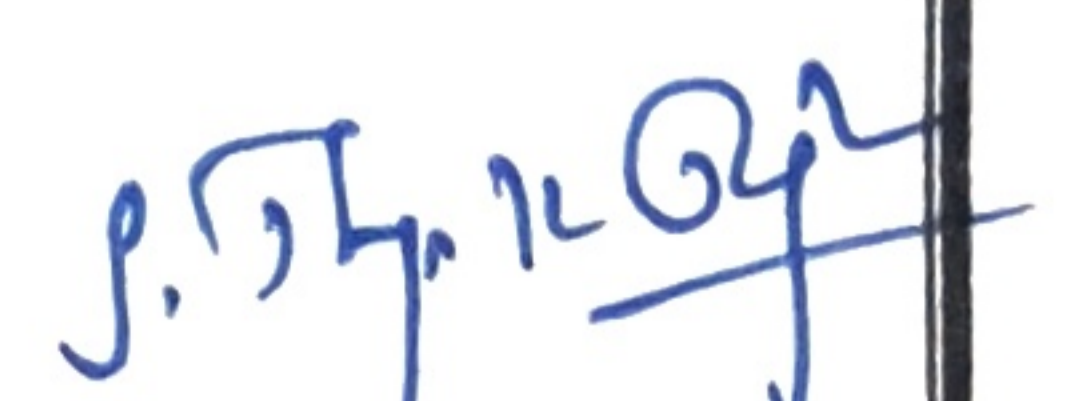
Mode: hybrid mode

Date &amp; Timing: 11.03.2023 &amp; 10.00 AM

Page No: 15 of 16

## 006.06.00: Information about the (Points Discussed in the following)


Item No.	Description	Suggestions / Comments from the BoS Members
006.06.01	Anna University New Amendment (Honours / Honours in same discipline / Minor)	Dr.S. Thangakasirajan, AP/Mech Presented the new amendment given by Anna University. Bos members accepted the amendments.
006.06.02	Pass Percentage of students	Dr.B. Balavairavan, AP/Mech Presented the Pass percentage year wise and course wise. Bos members accepted the results.
006.06.03	Value Added Courses offered/ Planned for the academic year: 2023 - 2024	Mr. N.R. Madhan, AP/Mech Presented the Value-added course planned for the academic year 2022 - 2023.  BoS members suggested some value-added courses for next academic year: LabVIEW, Computational fluid dynamics, Image processing and coding, Deep learning in Metallurgy, NX CAD, CATIA and SolidWorks.

  
Coordinators  
HOD/Mech

**DEPARTMENT OF MECHANICAL ENGINEERING**

**Three-member committee meeting for value added course selection**

Agenda		<b>Value Added Course Selection Meeting</b>
Date	:	19/07/2023
Time	:	09.10 AM
Venue	:	E14 Hall, Academic Block Four, Third Floor
Members Present	:	<p><b>Three Member Committee Members</b></p> <ol style="list-style-type: none"> <li>1. Dr. S. Thanga Kasi Rajan, ASP&amp; HoD/Mech</li> <li>2. Er.R.Sakthivel Murugan, AP/Mech</li> <li>3. Er. N.R. Madhan, AP/Mech</li> </ol> <p><b>Chairperson</b></p> <ol style="list-style-type: none"> <li>1. Er. N.R. Madhan, AP/Mech</li> </ol> <p><b>Domain Experts</b></p> <ol style="list-style-type: none"> <li>1. Dr. P. Narayanasamy, ASP/Mech</li> <li>2. Dr. M. Prithiviraj, AP/Mech</li> <li>3. Er. N.R. Madhan, AP/Mech</li> </ol> <p><b>Class representative (2021 – 2025 Batch)</b></p> <ol style="list-style-type: none"> <li>4. Mr. Hariharan.N (21ume011), II Year/ Student</li> <li>5. Mr. Thirumurugan.P (21ume020), II Year/ Student</li> <li>6. Ms. Alitia B Almeda (21ume029), II Year/ Student</li> <li>7. Mr. Kishore.S (21ume033), II Year/ Student</li> </ol>
Minutes of the Meeting	:	<p>It is optional to complete a Value-Added Course for Regulation 2021. In this regard a three-member committee has been formed and a meeting is organized to select the course for registration.</p> <ul style="list-style-type: none"> <li>• Meeting started by 09.10 AM. Dr. S. Thanga Kasi Rajan, Associate Professor &amp; Head of the Department, welcome the gathering. He has advised to maintain SOP for value added course.</li> <li>• Er. N. R. Madhan, Assistant Professor &amp; Chairperson of 2021-2025 batch has proposed course offered by             <ul style="list-style-type: none"> <li>○ Inventatec, Chennai, offering CATIA.</li> </ul> </li> <li>• Based on the suggestion given by the Subject Expects, 2021-2025 Batch Chairperson, 3 committee members for Value added course and student representative, “CATIA” course is agreed to take this V semester for 2021-2025 Batch students. Courses was selected by the students based on their interested.</li> </ul>

	<p><b>Justification for the Courses selection:</b>  The justification for the course selection were as follows</p> <ol style="list-style-type: none"> <li>i. These courses will be useful for her project work</li> <li>ii. It is a 45-hour courses (2 Credits)</li> <li>iii. These courses are useful to meet the Industrial Needs</li> <li>iv. These courses are in emerging areas.</li> </ol>
<p style="text-align: center;">Proof</p>	

*S. Thanga Kasi Rajan*  
*N.R. Madhan*

**Three Member Committee Members**  
Dr. S. Thanga Kasi Rajan, ASP & HoD/Mech  
Er.R.Sakthivel Murugan, AP/Mech  
Er. N.R. Madhan, AP/Mech

*P. Narayanasamy*  
*M. Prithiviraj*  
*N.R. Madhan*

**Domain Experts**  
Dr. P. Narayanasamy, ASP/Mech  
Dr. M. Prithiviraj, AP/Mech  
Er. N.R. Madhan, AP/Mech

*N.R. Madhan*

**Chairperson**  
Er. N.R. Madhan, AP/Mech

*S. Thanga Kasi Rajan*

**HoD/Mech**

*A.S. — Sar*  
*9/8/23*

**Dean Academics**





(An Autonomous Institution - AFFILIATED TO APJNA UNIVERSITY, CHENNAI)  
S.P.G. Chidambaram Road - C Nagarwal Campus  
S.P.G.C. Nagar, K. Velakulam - 625 701 (Near VIRUDHUNAGAR)

### Department of Mechanical Engineering

Title of the Program : Value Added Course on "CATIA"

Date: 31.07.2023 to 05.08.2023

Participants : III year (2021 – 2025 Batch)

Academic Year: 2023 - 2024

Conducted by : Inventatec, Chennai

Venue : KCER-MECH-CAD Lab

### Syllabus

#### Introduction

Creating Construction – Standard Element Applying Geometrical – Dimensional Constraints Understanding User Selection Filter toolbar; Understanding Visualization Toolbar - Cut part by Sketch Plane - 3D Element visualization - 2D Element visualization – Diagnostics.

#### Sketcher Mode

Dimensional Constraints - Geometrical Constraints - Editing Profile using Corner – Chamfer - Re-limitations – Transformation - 3D Geometry - Understanding Constraints Constraints - Constraint Creation - Contact Constraint - Fix together - Auto Constraint - Animate Constraint - Edit Multi Constraint Sketch Analysis

#### Part Modelling

Creating Sketch - Based Features - Pad Definition - Drafted Filleted Pad Definition - Pocket Definition - Drafted Filleted Pocket - Shaft Definition - Groove Definition - Hole Definition - Creating Reference Element - Plane Definition - Rib Definition - Slot Definition - Stiffener Definition - Solid Combine Definition - Applying Dress-Up Features - Edge Fillet Definition - Variable Fillet Definition - Chordal Fillet Definition - Face-Face Fillet Definition - Tritangent Fillet Definition - Chamfer Definition - Multi-Sections Solid Definition - Removed Multi-Section Solid Definitions

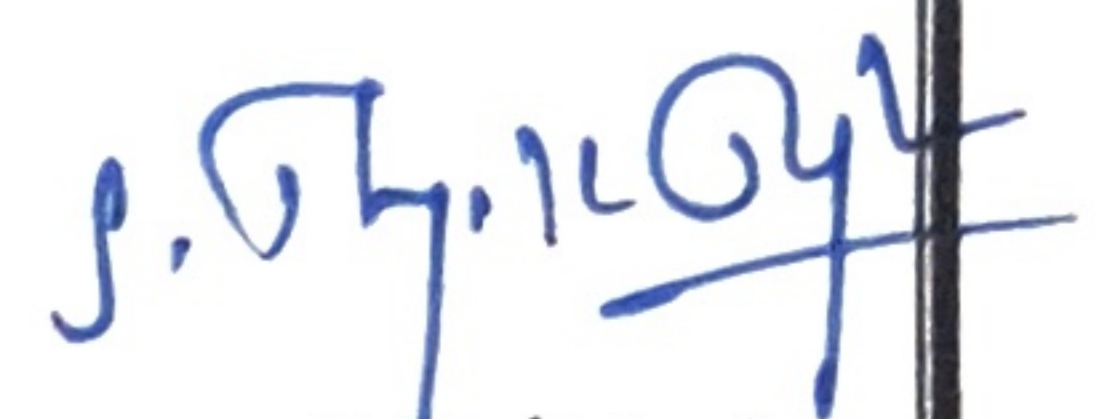
#### Part Editing

Applying Dress-Up Features - Edge Fillet Definition - Variable Fillet Definition - Chordal Fillet Definition - Face-Face Fillet Definition - Tritangent Fillet Definition - Chamfer Definition - Multi-Sections Solid Definition - Removed Multi-Section Solid Definition - Draft Definition - Draft Reflect Line Definition - Variable Angle Draft Definition – Shell Definition - Thickness Definition - Thread/Tap Definition - Remove/Replace Face Definition

#### Assembly Design

Understanding Top Down & Bottom Up Approach Understanding Product Structure Tools - New Component - New Product - New Part - Existing Component - Existing Component with Positioning Understanding Constraints Toolbar - Coincidence Constraints - Contact Constraints - Offset Constraints - Angle Constraints - Fix Component - Fix Together - Quick Constraint - Flexible/Rigid Sub-Assembly - Change Constraint - Reuse Pattern Understanding Move Toolbar - Manipulation - Snap/Smart Move - Explode - Stop Manipulate on Clash Understanding Product Structure Tools - Replace Component - Graph tree Reordering - Generate Numbering - Selective Load - Manage Representations - Multi Instantiation

  
Coordinators

  
HOD/Mech

## Department of Mechanical Engineering

Title of the Program : Value Added Course on "CATIA"

Date: 31.07.2023 to 05.08.2023

Participants : III year (2021 – 2025 Batch)

Academic Year: 2023 - 2024

Conducted by : Inventatec, Chennai

Venue : KCER-MECH-CAD Lab

## Approval of Board of Study Meeting

Board of Study Meeting: VI


Mode: hybrid mode

Date &amp; Timing: 11.03.2023 &amp; 10.00 AM

Page No: 15 of 16

## 006.06.00: Information about the (Points Discussed in the following)

Item No.	Description	Suggestions / Comments from the BoS Members
006.06.01	Anna University New Amendment (Honours / Honours in same discipline / Minor)	Dr.S. Thangakasirajan, AP/Mech Presented the new amendment given by Anna University. Bos members accepted the amendments.
006.06.02	Pass Percentage of students	Dr.B. Balavairavan, AP/Mech Presented the Pass percentage year wise and course wise. Bos members accepted the results.
006.06.03	Value Added Courses offered/ Planned for the academic year: 2023 - 2024	Mr. N.R. Madhan, AP/Mech Presented the Value-added course planned for the academic year 2022 - 2023.  BoS members suggested some value-added courses for next academic year: LabVIEW, Computational fluid dynamics, Image processing and coding, Deep learning in Metallurgy, NX CAD, CATIA and SolidWorks.

  
Coordinators  
HOD/Mech

**Department of Mechanical Engineering**

**Title of the Program : Value Added Course on "CATIA"**

**Date: 31.07.2023 to 05.08.2023**

**Participants : III year (2021 – 2025 Batch)**

**Academic Year: 2023 - 2024**

**Conducted by : Inventatec, Chennai**

**Venue : KCER-MECH-CAD Lab**

Summary report

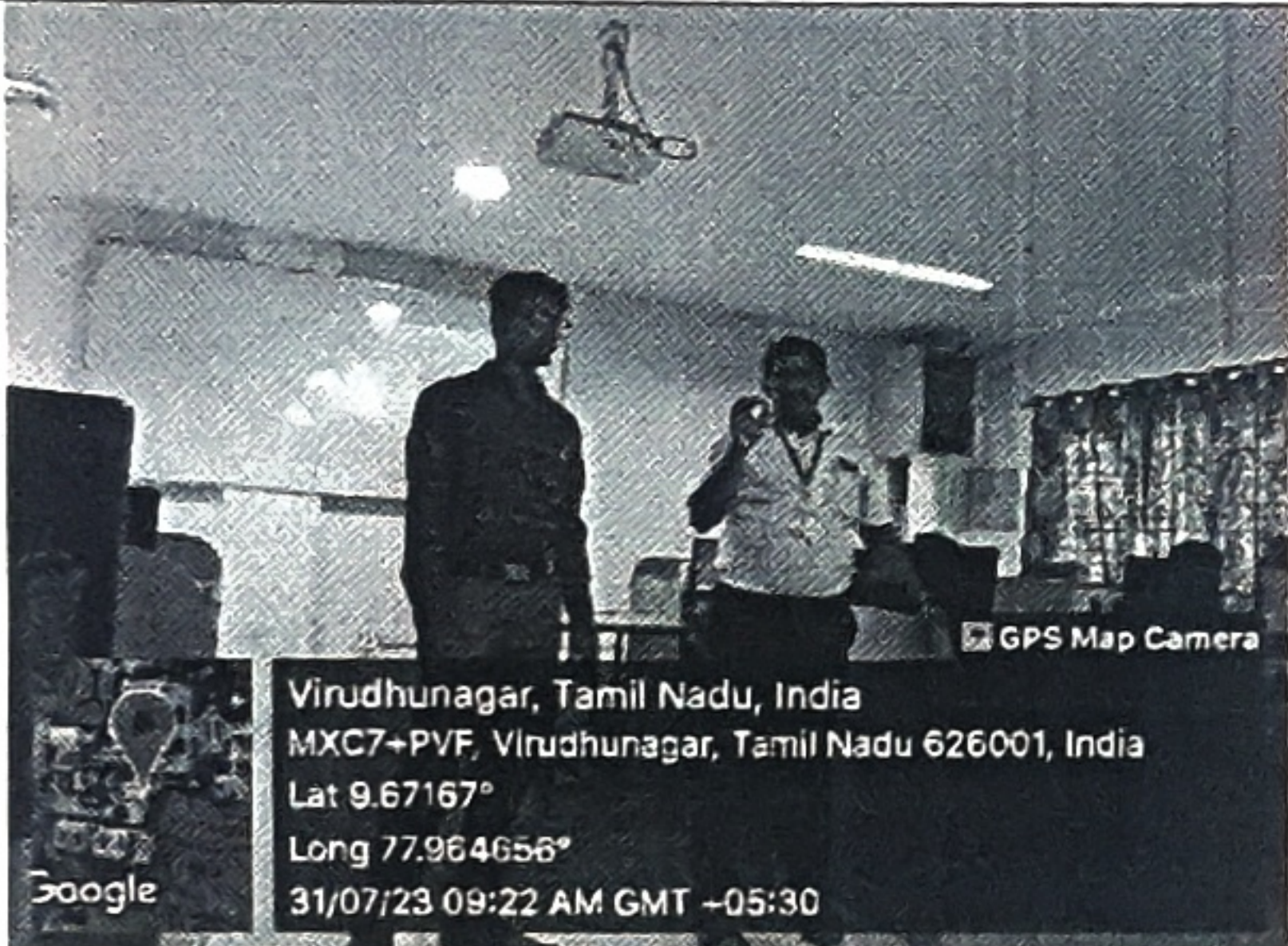
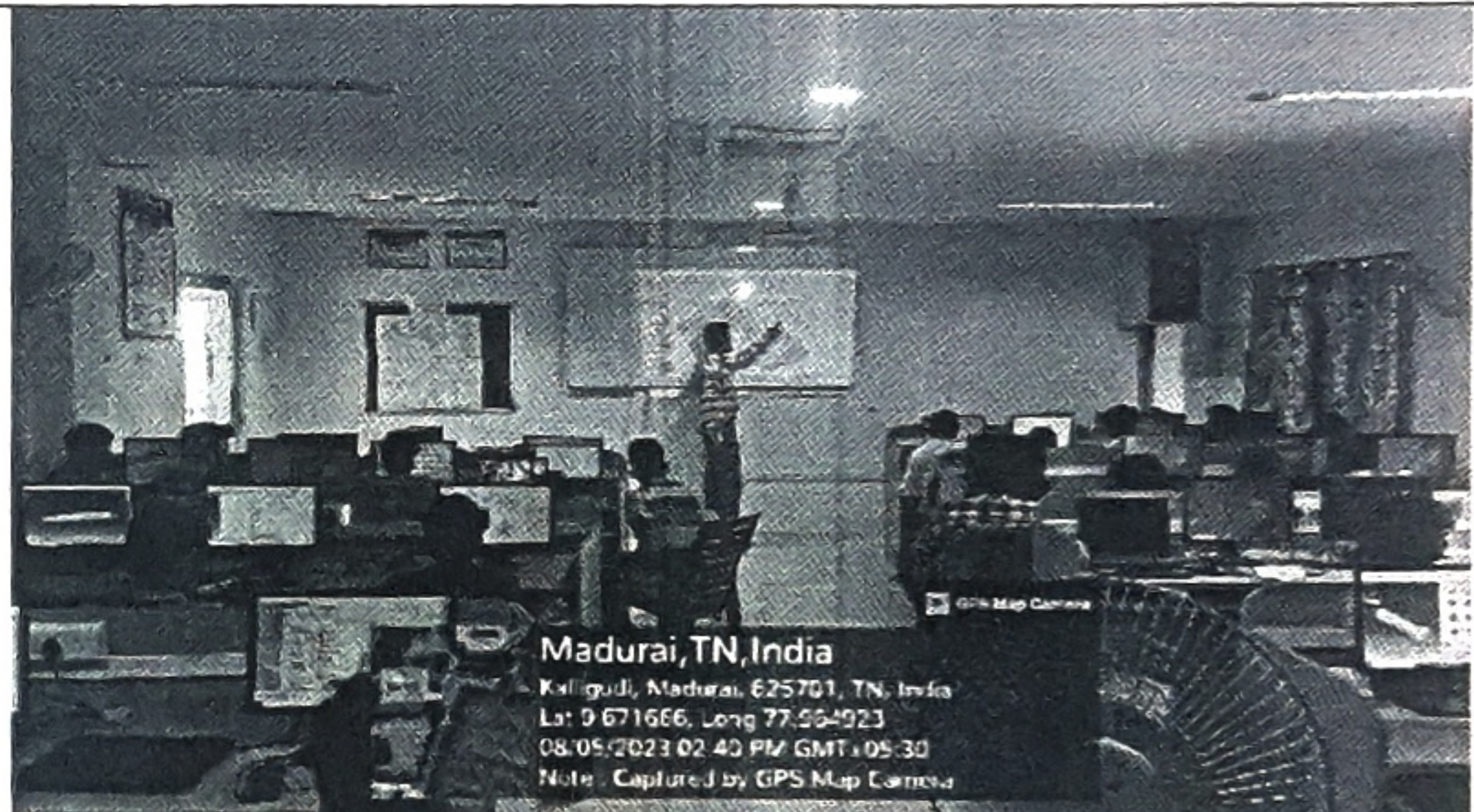

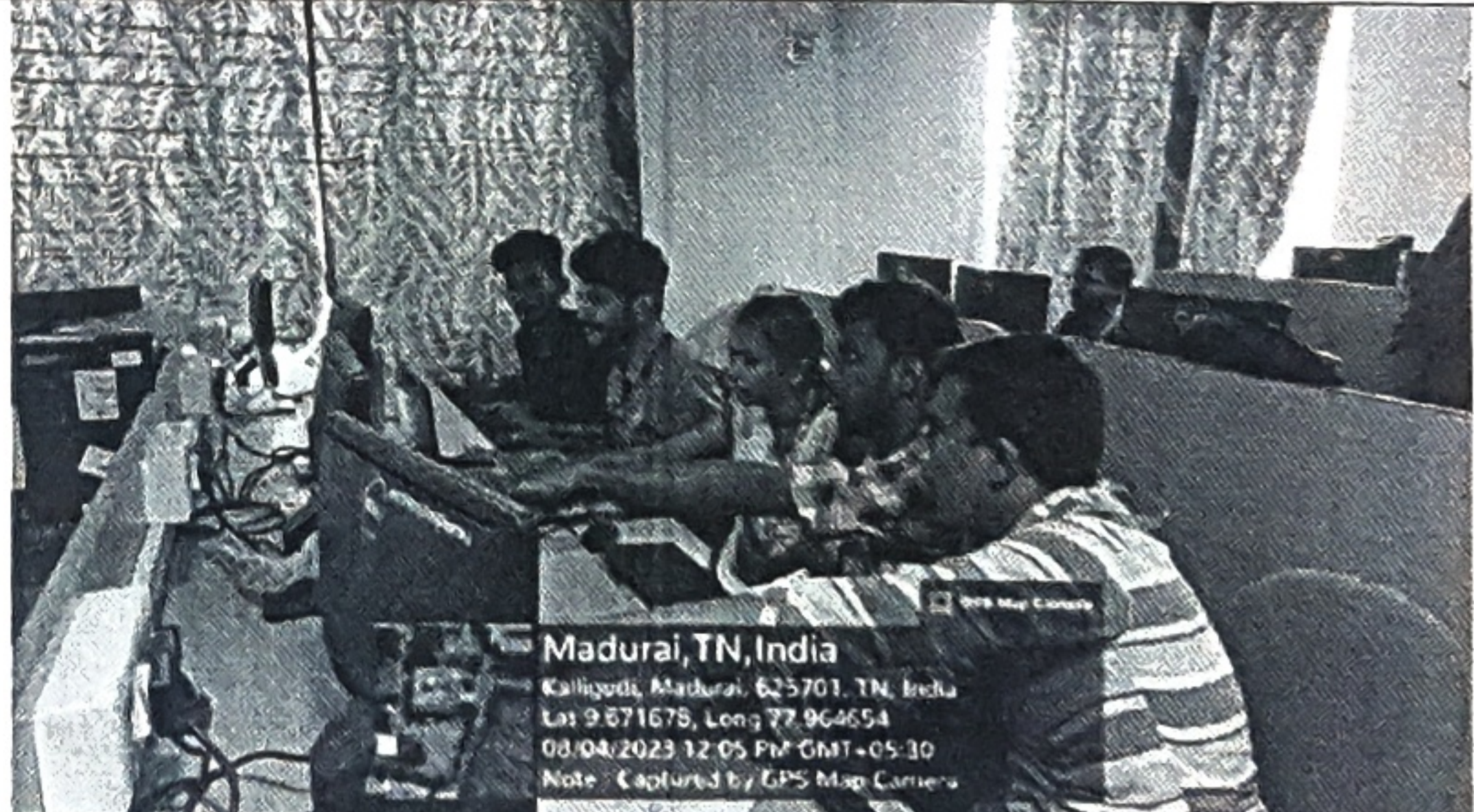
On **31.07.2023**, the programme was started by 9.10 AM. Basics of Sketching mode in CATIA was taught by the trainer Er. Jaffar, Application Engineer, Chennai. During the afternoon, students was practicing the same using software.

On **01.08.2023, 02.08.2023 and 03.08.2023**, 3D Modelling mode was taught by the trainer in CATIA. During the afternoon, 3D Assembly in NX-CAD was taught and simultaneously they were practicing the module.

On **04.08.2023**, Students were practicing the assembly model which was given by the trainer, doubt from the students were clarified by them.

On **05.08.2023**, Assessment was given to the students and output was evaluated by the trainer.

**Photos**

 <p>Virudhunagar, Tamil Nadu, India              MXC7+PVF, Virudhunagar, Tamil Nadu 626001, India              Lat 9.67167°              Long 77.964656°              31/07/23 09:22 AM GMT +05:30</p>	 <p>Madurai, TN, India              Kalligudi, Madurai, 625701, TN, India              Lat: 9.671666, Long 77.564923              08.05.2023 02:40 PM GMT +05:30              Note: Captured by GPS Map Camera</p>
<p align="center"><b>Er.Madhan N R,AP/Mech, delivered Chief Introduction</b></p>	<p align="center"><b>Session Handled by Er. Jaffar, Application Engineer</b></p>
 <p>Madurai, TN, India              Kalligudi, Madurai, 625701, TN, India              Lat 9.671678, Long 77.964654              08/04/2023 12:05 PM GMT +05:30              Note: Captured by GPS Map Camera</p>	 <p>Madurai, TN, India              Kalligudi, Madurai, 625701, TN, India              Lat 9.671678, Long 77.964654              08/04/2023 12:05 PM GMT +05:30              Note: Captured by GPS Map Camera</p>
<p align="center"><b>During the exam on 05.08.2023</b></p>	<p align="center"><b>During the team project work</b></p>

*N. e. b.*  
**Coordinators**

*S. J. J. J. J.*  
**HoD/Mech**



INVENTATEQ TRAINING INSTITUTE

(Enter as Trainees... Exit as Professionals)

Velachery – Chennai – 600 042

## CERTIFICATE

Certificate No:901

*This is to certify that*

**MURALI KRISHNAN.R**

Miss/Mr.

Kamaraj College of Engineering and Technology, Virudhunagar

*Has successfully completed the training program titled*

CATIA

PARAMETRIC DESIGN USING CATIA for PART DESIGN, ASSEMBLY DESIGN and DRAFTING WORKBENCH

CONDUCTED BY: INVENTATEQ TRAINING INSTITUTE from 31.07.2023 to 05.08.2023

Date: 07.08.2023



T.J.F.

COURSE COORDINATOR

K. Anilkumar

CENTRE HEAD



INVENTATEQ TRAINING INSTITUTE

(Enter as Trainees... Exit as Professionals)

Velachery – Chennai – 600 042

## CERTIFICATE

Certificate No:902

*This is to certify that*

**JEGATHEESH M**

Miss/Mr.....

Kamaraj College of Engineering and Technology, Virudhunagar

*Has successfully completed the training program titled*

CATIA

PARAMETRIC DESIGN USING CATIA for PART DESIGN, ASSEMBLY DESIGN and DRAFTING WORKBENCH

CONDUCTED BY: INVENTATEQ TRAINING INSTITUTE from 31.07.2023 to 05.08.2023

Date: 07.08.2023



T. J. F.

COURSE COORDINATOR

K Anilkumar

CENTRE HEAD



INVENTATEQ TRAINING INSTITUTE

(Enter as Trainees... Exit as Professionals)

Velachery - Chennai - 600 042

## CERTIFICATE

Certificate No:903

*This is to certify that*

**SAKTHIVEL.M**

Miss/Mr.....

Kamaraj College of Engineering and Technology, Virudhunagar

*Has successfully completed the training program titled*

CATIA

PARAMETRIC DESIGN USING CATIA for PART DESIGN, ASSEMBLY DESIGN and DRAFTING WORKBENCH

CONDUCTED BY: INVENTATEQ TRAINING INSTITUTE from 31.07.2023 to 05.08.2023

Date: 07.08.2023



T-J-F.

COURSE COORDINATOR

K Anilkumar

CENTRE HEAD



INVENTATEQ TRAINING INSTITUTE

(Enter as Trainees... Exit as Professionals)

Velachery - Chennai - 600 042

## CERTIFICATE

Certificate No:904

*This is to certify that*

**GOKULRAJ.K**

Miss/Mr.

Kamaraj College of Engineering and Technology, Virudhunagar

*Has successfully completed the training program titled*

CATIA

PARAMETRIC DESIGN USING CATIA for PART DESIGN, ASSEMBLY DESIGN and DRAFTING WORKBENCH

CONDUCTED BY: INVENTATEQ TRAINING INSTITUTE from 31.07.2023 to 05.08.2023

Date: 07.08.2023



T. J. F.

COURSE COORDINATOR

K Anilkumar

CENTRE HEAD



INVENTATEQ TRAINING INSTITUTE

(Enter as Trainees... Exit as Professionals)

Velachery – Chennai – 600 042

## CERTIFICATE

Certificate No:905

*This is to certify that*

**VISHNU VARDHAN.K**

Miss/Mr.-----

Kamaraj College of Engineering and Technology, Virudhunagar

*Has successfully completed the training program titled*

CATIA

PARAMETRIC DESIGN USING CATIA for PART DESIGN, ASSEMBLY DESIGN and DRAFTING WORKBENCH

CONDUCTED BY: INVENTATEQ TRAINING INSTITUTE from 31.07.2023 to 05.08.2023

Date: 07.08.2023



T. J. F.

COURSE COORDINATOR

K Anilkumar

CENTRE HEAD





INVENTATEQ TRAINING INSTITUTE

(Enter as Trainees... Exit as Professionals)

Velachery – Chennai – 600 042

## CERTIFICATE

Certificate No:906

*This is to certify that*

**VEERENDRA SEVAK.P**

Miss/Mr.

Kamaraj College of Engineering and Technology, Virudhunagar

*Has successfully completed the training program titled*

CATIA

PARAMETRIC DESIGN USING CATIA for PART DESIGN, ASSEMBLY DESIGN and DRAFTING WORKBENCH

CONDUCTED BY: INVENTATEQ TRAINING INSTITUTE from 31.07.2023 to 05.08.2023

Date: 07.08.2023



T.J.F.

COURSE COORDINATOR

K. Anilkumar

CENTRE HEAD



INVENTATEQ TRAINING INSTITUTE

(Enter as Trainees... Exit as Professionals)

Velachery -- Chennai -- 600 042

## CERTIFICATE

Certificate No:907

*This is to certify that*

**DHANUSH KUMAR.A**

Miss/Mr.-----

Kamaraj College of Engineering and Technology, Virudhunagar

*Has successfully completed the training program titled*

CATIA

PARAMETRIC DESIGN USING CATIA for PART DESIGN, ASSEMBLY DESIGN and DRAFTING WORKBENCH

CONDUCTED BY: INVENTATEQ TRAINING INSTITUTE from 31.07.2023 to 05.08.2023

Date: 07.08.2023



T. J. F.

COURSE COORDINATOR

K Anilkumar

CENTRE HEAD



INVENTATEQ TRAINING INSTITUTE

(Enter as Trainees... Exit as Professionals)

Velachery – Chennai – 600 042

## CERTIFICATE

Certificate No:908

*This is to certify that*

**MADHAV VENKATESH.J**

Miss/Mr.-----

Kamaraj College of Engineering and Technology, Virudhunagar

*Has successfully completed the training program titled*

CATIA

PARAMETRIC DESIGN USING CATIA for PART DESIGN, ASSEMBLY DESIGN and DRAFTING WORKBENCH

CONDUCTED BY: INVENTATEQ TRAINING INSTITUTE from 31.07.2023 to 05.08.2023

Date: 07.08.2023



T-J-F.

COURSE COORDINATOR

K. Anilkumar

CENTRE HEAD



INVENTATEQ TRAINING INSTITUTE

(Enter as Trainees... Exit as Professionals)

Velachery - Chennai - 600 042

## CERTIFICATE

Certificate No:909

*This is to certify that*

**SIVA BALAN.K**

Miss/Mr.....

Kamaraj College of Engineering and Technology, Virudhunagar

*Has successfully completed the training program titled*

CATIA

PARAMETRIC DESIGN USING CATIA for PART DESIGN, ASSEMBLY DESIGN and DRAFTING WORKBENCH

CONDUCTED BY: INVENTATEQ TRAINING INSTITUTE from 31.07.2023 to 05.08.2023

Date: 07.08.2023



T. J. J.

COURSE COORDINATOR

K. Anilkumar

CENTRE HEAD



INVENTATEQ TRAINING INSTITUTE

(Enter as Trainees... Exit as Professionals)

Velachery - Chennai - 600 042

## CERTIFICATE

Certificate No:910

*This is to certify that*

**CHANDRU.V**

Miss/Mr.....

Kamaraj College of Engineering and Technology, Virudhunagar

*Has successfully completed the training program titled*

CATIA

PARAMETRIC DESIGN USING CATIA for PART DESIGN, ASSEMBLY DESIGN and DRAFTING WORKBENCH

CONDUCTED BY: INVENTATEQ TRAINING INSTITUTE from 31.07.2023 to 05.08.2023

Date: 07.08.2023



T-J-F.

K Anilkumar

COURSE COORDINATOR

CENTRE HEAD



INVENTATEQ TRAINING INSTITUTE

(Enter as Trainees... Exit as Professionals)

Velachery - Chennai - 600 042

## CERTIFICATE

Certificate No:911

*This is to certify that*

**HARIHARAN.N**

Miss/Mr.....

Kamaraj College of Engineering and Technology, Virudhunagar

*Has successfully completed the training program titled*

CATIA

PARAMETRIC DESIGN USING CATIA for PART DESIGN, ASSEMBLY DESIGN and DRAFTING WORKBENCH

CONDUCTED BY: INVENTATEQ TRAINING INSTITUTE from 31.07.2023 to 05.08.2023

Date: 07.08.2023



T. J. F.

COURSE COORDINATOR

K Anilkumar

CENTRE HEAD



INVENTATEQ TRAINING INSTITUTE

(Enter as Trainees... Exit as Professionals)

Velachery - Chennai - 600 042

## CERTIFICATE

Certificate No:912

*This is to certify that*

**MITHUN.S**

Miss/Mr. ....

Kamaraj College of Engineering and Technology, Virudhunagar

*Has successfully completed the training program titled*

CATIA

PARAMETRIC DESIGN USING CATIA for PART DESIGN, ASSEMBLY DESIGN and DRAFTING WORKBENCH

CONDUCTED BY: INVENTATEQ TRAINING INSTITUTE from 31.07.2023 to 05.08.2023

Date: 07.08.2023



T-j-7.

COURSE COORDINATOR

K Anil Kumar

CENTRE HEAD



**INVENTATEQ TRAINING INSTITUTE**

(Enter as Trainees... Exit as Professionals)

Velachery - Chennai - 600 042

## CERTIFICATE

Certificate No:913

*This is to certify that*

**KIRAN.S**

Miss/Mr.

Kamraj College of Engineering and Technology, Virudhunagar

*Has successfully completed the training program titled*

CATIA

PARAMETRIC DESIGN USING CATIA for PART DESIGN, ASSEMBLY DESIGN and DRAFTING WORKBENCH

CONDUCTED BY: INVENTATEQ TRAINING INSTITUTE from 31.07.2023 to 05.08.2023

Date: 07.08.2023



*T. J. J.*

COURSE COORDINATOR

*K. Anilkumar*

CENTRE HEAD





INVENTATEQ TRAINING INSTITUTE

(Enter as Trainees... Exit as Professionals)

Velachery – Chennai – 600 042

## CERTIFICATE

Certificate No:914

*This is to certify that*

**ALWYN JOSHUA.J**

Miss/Mr.-----  
Kamaraj College of Engineering and Technology, Virudhunagar  
-----

*Has successfully completed the training program titled*

CATIA

PARAMETRIC DESIGN USING CATIA for PART DESIGN, ASSEMBLY DESIGN and DRAFTING WORKBENCH

CONDUCTED BY: INVENTATEQ TRAINING INSTITUTE from 31.07.2023 to 05.08.2023

Date: 07.08.2023



T.J.F.

COURSE COORDINATOR

K. Anilkumar

CENTRE HEAD



INVENTATEQ TRAINING INSTITUTE

(Enter as Trainees... Exit as Professionals)

Velachery - Chennai - 600 042

## CERTIFICATE

Certificate No:915

*This is to certify that*

**KANNAN.M**

Miss/Mr.

Kamaraj College of Engineering and Technology, Virudhunagar

*Has successfully completed the training program titled*

CATIA

PARAMETRIC DESIGN USING CATIA for PART DESIGN, ASSEMBLY DESIGN and DRAFTING WORKBENCH

CONDUCTED BY: INVENTATEQ TRAINING INSTITUTE from 31.07.2023 to 05.08.2023

Date: 07.08.2023



T. J. F.

COURSE COORDINATOR

K. Anilkumar

CENTRE HEAD



INVENTATEQ TRAINING INSTITUTE  
(Enter as Trainees... Exit as Professionals)  
Velachery - Chennai - 600 042

## CERTIFICATE

Certificate No:916

*This is to certify that*

**KIRUBAKARAN.S**

Miss/Mr. ....

Kamaraj College of Engineering and Technology, Virudhunagar

*Has successfully completed the training program titled*

CATIA

PARAMETRIC DESIGN USING CATIA for PART DESIGN, ASSEMBLY DESIGN and DRAFTING WORKBENCH

CONDUCTED BY: INVENTATEQ TRAINING INSTITUTE from 31.07.2023 to 05.08.2023

Date: 07.08.2023



T. J. F.

COURSE COORDINATOR

K. Anilkumar

CENTRE HEAD



INVENTATEQ TRAINING INSTITUTE

(Enter as Trainees - Exit as Professionals)

Velachery - Chennai - 600 042

## CERTIFICATE

Certificate No:917

*This is to certify that*

**ASRAF MOHAMED.A**

Miss/Mr.

Kamaraj College of Engineering and Technology, Virudhunagar

*Has successfully completed the training program titled*

CATIA

PARAMETRIC DESIGN USING CATIA for PART DESIGN, ASSEMBLY DESIGN and DRAFTING WORKBENCH

CONDUCTED BY: INVENTATEQ TRAINING INSTITUTE from 31.07.2023 to 05.08.2023

Date: 07.08.2023



T. J. F.

COURSE COORDINATOR

K. Anil Kumar

CENTRE HEAD



INVENTATEQ TRAINING INSTITUTE

(Enter as Trainees... Exit as Professionals)

Velachery – Chennai – 600 042

## CERTIFICATE

Certificate No:918

*This is to certify that*

**DEEPAK KUMAR.C**

Miss/Mr.-----

Kamaraj College of Engineering and Technology, Virudhunagar

*Has successfully completed the training program titled*

CATIA

PARAMETRIC DESIGN USING CATIA for PART DESIGN, ASSEMBLY DESIGN and DRAFTING WORKBENCH

CONDUCTED BY: INVENTATEQ TRAINING INSTITUTE from 31.07.2023 to 05.08.2023

Date: 07.08.2023



T.J.F.

COURSE COORDINATOR

K. Anilkumar

CENTRE HEAD



INVENTATEQ TRAINING INSTITUTE

(Enter as Trainees... Exit as Professionals)

Velachery - Chennai - 600 042

## CERTIFICATE

Certificate No:919

*This is to certify that*

**KAVIYARASAN.M**

Miss/Mr. ....

Kamaraj College of Engineering and Technology, Virudhunagar

*Has successfully completed the training program titled*

CATIA

PARAMETRIC DESIGN USING CATIA for PART DESIGN, ASSEMBLY DESIGN and DRAFTING WORKBENCH

CONDUCTED BY: INVENTATEQ TRAINING INSTITUTE from 31.07.2023 to 05.08.2023

Date: 07.08.2023



T. J. F.

COURSE COORDINATOR

K. Anilkumar

CENTRE HEAD



INVENTATEQ TRAINING INSTITUTE

(Enter as Trainees... Exit as Professionals)

Velachery -- Chennai -- 600 042

## CERTIFICATE

Certificate No:920

*This is to certify that*

**THIRUMURUGAN.P**

Miss/Mr.....

Kamaraj College of Engineering and Technology, Virudhunagar

*Has successfully completed the training program titled*

CATIA

PARAMETRIC DESIGN USING CATIA for PART DESIGN, ASSEMBLY DESIGN and DRAFTING WORKBENCH

CONDUCTED BY: INVENTATEQ TRAINING INSTITUTE from 31.07.2023 to 05.08.2023

Date: **07.08.2023**



T. J. F.

COURSE COORDINATOR

K. Anilkumar

CENTRE HEAD



INVENTATEQ TRAINING INSTITUTE

(Enter as Trainees... Exit as Professionals)

Velachery - Chennai - 600 042

## CERTIFICATE

Certificate No:921

**RAMAR.A**

*This is to certify that*

Miss/Mr.....

Kamaraj College of Engineering and Technology, Virudhunagar

*Has successfully completed the training program titled*

CATIA

PARAMETRIC DESIGN USING CATIA for PART DESIGN, ASSEMBLY DESIGN and DRAFTING WORKBENCH

CONDUCTED BY: INVENTATEQ TRAINING INSTITUTE from 31.07.2023 to 05.08.2023

Date: 07.08.2023



T. J. F.

COURSE COORDINATOR

K. Anilkumar

CENTRE HEAD





INVENTATEQ TRAINING INSTITUTE

(Enter as Trainees... Exit as Professionals)

Velachery - Chennai - 600 042

## CERTIFICATE

Certificate No:922

*This is to certify that*

**NAGENDRA KUMAR.B**

Miss/Mr.....

Kamaraj College of Engineering and Technology, Virudhunagar

*Has successfully completed the training program titled*

CATIA

PARAMETRIC DESIGN USING CATIA for PART DESIGN, ASSEMBLY DESIGN and DRAFTING WORKBENCH

CONDUCTED BY: INVENTATEQ TRAINING INSTITUTE from 31.07.2023 to 05.08.2023

Date: 07.08.2023



T-J-A

COURSE COORDINATOR

K Anilkumar

CENTRE HEAD



INVENTATEQ TRAINING INSTITUTE  
(Enter as Trainees... Exit as Professionals)  
Velachery - Chennai - 600 042

## CERTIFICATE

Certificate No:923

*This is to certify that*

**MOHAMMED ASHIF.N**

Miss/Mr.....

Kamaraj College of Engineering and Technology, Virudhunagar

*Has successfully completed the training program titled*

CATIA

PARAMETRIC DESIGN USING CATIA for PART DESIGN, ASSEMBLY DESIGN and DRAFTING WORKBENCH

CONDUCTED BY: INVENTATEQ TRAINING INSTITUTE from 31.07.2023 to 05.08.2023

Date: 07.08.2023



T. J. F.

COURSE COORDINATOR

K Anilkumar

CENTRE HEAD



INVENTATEQ TRAINING INSTITUTE

(Enter as Trainees... Exit as Professionals)

Velachery - Chennai - 600 042

## CERTIFICATE

Certificate No:924

*This is to certify that*

**SIVA SETHU RAJAN.B**

Miss/Mr. ....

Kamaraj College of Engineering and Technology, Virudhunagar

*Has successfully completed the training program titled*

CATIA

PARAMETRIC DESIGN USING CATIA for PART DESIGN, ASSEMBLY DESIGN and DRAFTING WORKBENCH

CONDUCTED BY: INVENTATEQ TRAINING INSTITUTE from 31.07.2023 to 05.08.2023

Date: 07.08.2023



T. J. J.

COURSE COORDINATOR

K Anilkumar

CENTRE HEAD



INVENTATEQ TRAINING INSTITUTE

(Enter as Trainees... Exit as Professionals)

Velachery – Chennai – 600 042

## CERTIFICATE

Certificate No:925

*This is to certify that*

**KAUSIK.O.B**

Miss/Mr.....

Kamaraj College of Engineering and Technology, Virudhunagar

*Has successfully completed the training program titled*

CATIA

PARAMETRIC DESIGN USING CATIA for PART DESIGN, ASSEMBLY DESIGN and DRAFTING WORKBENCH

CONDUCTED BY: INVENTATEQ TRAINING INSTITUTE from 31.07.2023 to 05.08.2023

Date: 07.08.2023



T. J. J.

COURSE COORDINATOR

K. Anilkumar

CENTRE HEAD



INVENTATEQ TRAINING INSTITUTE  
(Enter as Trainees... Exit as Professionals)  
Velachery - Chennai - 600 042

## CERTIFICATE

Certificate No:926

*This is to certify that*

**RAMACHANDRAN.S**

Miss/Mr.-----

Kamaraj College of Engineering and Technology, Virudhunagar

*Has successfully completed the training program titled*

CATIA

PARAMETRIC DESIGN USING CATIA for PART DESIGN, ASSEMBLY DESIGN and DRAFTING WORKBENCH

CONDUCTED BY: INVENTATEQ TRAINING INSTITUTE from 31.07.2023 to 05.08.2023

Date: 07.08.2023



T. J. F.

COURSE COORDINATOR

K Anilkumar

CENTRE HEAD



INVENTATEQ TRAINING INSTITUTE

(Enter as Trainees... Exit as Professionals)

Velachery – Chennai – 600 042

## CERTIFICATE

Certificate No:927

*This is to certify that*

**SHAFIQ AHAMED.K**

Miss/Mr.....

Kamaraj College of Engineering and Technology, Virudhunagar

*Has successfully completed the training program titled*

CATIA

PARAMETRIC DESIGN USING CATIA for PART DESIGN, ASSEMBLY DESIGN and DRAFTING WORKBENCH

CONDUCTED BY: INVENTATEQ TRAINING INSTITUTE from 31.07.2023 to 05.08.2023

Date: 07.08.2023



T. J. F.

COURSE COORDINATOR

K. Anilkumar

CENTRE HEAD



INVENTATEQ TRAINING INSTITUTE

(Enter as Trainees... Exit as Professionals)

Velachery - Chennai - 600 042

## CERTIFICATE

Certificate No:928

*This is to certify that*

**ALITIA B ALMEDA**

Miss/Mr.

Kamaraj College of Engineering and Technology, Virudhunagar

*Has successfully completed the training program titled*

CATIA

PARAMETRIC DESIGN USING CATIA for PART DESIGN, ASSEMBLY DESIGN and DRAFTING WORKBENCH

CONDUCTED BY: INVENTATEQ TRAINING INSTITUTE from 31.07.2023 to 05.08.2023

Date: 07.08.2023



T. J. F.

COURSE COORDINATOR

K Anilkumar

CENTRE HEAD



INVENTATEQ TRAINING INSTITUTE

(Enter as Trainees... Exit as Professionals)

Velachery – Chennai – 600 042

## CERTIFICATE

Certificate No:929

*This is to certify that*

**KARAN.V**

Miss/Mr.

Kamaraj College of Engineering and Technology, Virudhunagar

*Has successfully completed the training program titled*

CATIA

PARAMETRIC DESIGN USING CATIA for PART DESIGN, ASSEMBLY DESIGN and DRAFTING WORKBENCH

CONDUCTED BY: INVENTATEQ TRAINING INSTITUTE from 31.07.2023 to 05.08.2023

Date: 07.08.2023



T. J. F.

COURSE COORDINATOR

K. Anilkumar

CENTRE HEAD





INVENTATEQ TRAINING INSTITUTE

(Enter as Trainees ... Exit as Professionals)

Velachery - Chennai - 600 042

## CERTIFICATE

Certificate No:930

*This is to certify that*

**KALIRAJ.A**

Miss/Mr. \_\_\_\_\_

Kamaraj College of Engineering and Technology, Virudhunagar

*Has successfully completed the training program titled*

CATIA

PARAMETRIC DESIGN USING CATIA for PART DESIGN, ASSEMBLY DESIGN and DRAFTING WORKBENCH

CONDUCTED BY: INVENTATEQ TRAINING INSTITUTE from 31.07.2023 to 05.08.2023

Date: 07.08.2023



T. J. J.

COURSE COORDINATOR

K. Anilkumar

CENTRE HEAD



INVENTATEQ TRAINING INSTITUTE

(Enter as Trainees... Exit as Professionals)

Velachery - Chennai - 600 042

## CERTIFICATE

Certificate No: 931

*This is to certify that*

**ARAVIND KUMAR.M**

Miss/Mr.

Kamaraj College of Engineering and Technology, Virudhunagar

*Has successfully completed the training program titled*

CATIA

PARAMETRIC DESIGN USING CATIA for PART DESIGN, ASSEMBLY DESIGN and DRAFTING WORKBENCH

CONDUCTED BY: INVENTATEQ TRAINING INSTITUTE from 31.07.2023 to 05.08.2023

Date: 07.08.2023



T.P.F.

COURSE COORDINATOR

K. Anil Kumar

CENTRE HEAD



**INVENTATEQ TRAINING INSTITUTE**

(Enter as Trainees... Exit as Professionals)

Velachery - Chennai - 600 042

## CERTIFICATE

Certificate No:932

*This is to certify that*

**KISHORE.S**

Miss/Mr. ....

Kamaraj College of Engineering and Technology, Virudhunagar

*Has successfully completed the training program titled*

CATIA

PARAMETRIC DESIGN USING CATIA for PART DESIGN, ASSEMBLY DESIGN and DRAFTING WORKBENCH

CONDUCTED BY: INVENTATEQ TRAINING INSTITUTE from 31.07.2023 to 05.08.2023

Date: 07.08.2023



T. J. F.

COURSE COORDINATOR

K Anilkumar

CENTRE HEAD



INVENTATEQ TRAINING INSTITUTE

(Enter as Trainees - Exit as Professionals)

Vellore - Chennai - 600 042

## CERTIFICATE

Certificate No:933

*This is to certify that*

**SRIVASAN.G. R**

Miss/Mr.

Kamaraj College of Engineering and Technology, Virudhunagar

*Has successfully completed the training program titled*

CATIA

PARAMETRIC DESIGN USING CATIA for PART DESIGN, ASSEMBLY DESIGN and DRAFTING WORKBENCH

CONDUCTED BY: INVENTATEQ TRAINING INSTITUTE from 31.07.2023 to 05.08.2023

Date: 07.08.2023



T. J. A.

COURSE COORDINATOR

K. Anilkumar

CENTRE HEAD



INVENTATEQ TRAINING INSTITUTE

(Enter as Trainees - Exit as Professionals)

Vellore - Chennai - 600 042

## CERTIFICATE

Certificate No. 934

*This is to certify that*

**YOGESHWARAN.K.M**

Miss/Mr.

Kamaraj College of Engineering and Technology, Virudhunagar

*Has successfully completed the training program titled*

CATIA

PARAMETRIC DESIGN USING CATIA for PART DESIGN, ASSEMBLY DESIGN and DRAFTING WORKBENCH

CONDUCTED BY INVENTATEQ TRAINING INSTITUTE from 31.07.2023 to 05.08.2023

Date: 07.08.2023



T. J. J.

COURSE COORDINATOR

K. Anand Kumar

CENTRE HEAD



INVENTATEQ TRAINING INSTITUTE

(Enter as Trainees... Exit as Professionals)

Velachery - Chennai - 600 042

## CERTIFICATE

Certificate No:935

*This is to certify that*

**NIJO PRASAD**

Miss/Mr.....

Kamaraj College of Engineering and Technology, Virudhunagar

*Has successfully completed the training program titled*

CATIA

PARAMETRIC DESIGN USING CATIA for PART DESIGN, ASSEMBLY DESIGN and DRAFTING WORKBENCH

CONDUCTED BY: INVENTATEQ TRAINING INSTITUTE from 31.07.2023 to 05.08.2023

Date: 07.08.2023



T. J. J.

COURSE COORDINATOR

K. Anilkumar

CENTRE HEAD



INVENTATEQ TRAINING INSTITUTE

(Enter as Trainees... Exit as Professionals)

Velachery - Chennai - 600 042

## CERTIFICATE

Certificate No:936

*This is to certify that*

**THIRU KUMARAN.S**

Miss/Mr.-----

Kamaraj College of Engineering and Technology, Virudhunagar

*Has successfully completed the training program titled*

CATIA

PARAMETRIC DESIGN USING CATIA for PART DESIGN, ASSEMBLY DESIGN and DRAFTING WORKBENCH

CONDUCTED BY: INVENTATEQ TRAINING INSTITUTE from 31.07.2023 to 05.08.2023

Date: 07.08.2023



T.J.F.

COURSE COORDINATOR

K. Anilkumar

CENTRE HEAD



INVENTATEQ TRAINING INSTITUTE  
(Enter as Trainees... Exit as Professionals)  
Velachery – Chennai – 600 042

## CERTIFICATE

Certificate No:937

*This is to certify that*

**VIGNESHKUMAR.P**

Miss/Mr.-----

Kamaraj College of Engineering and Technology, Virudhunagar

*Has successfully completed the training program titled*

CATIA

PARAMETRIC DESIGN USING CATIA for PART DESIGN, ASSEMBLY DESIGN and DRAFTING WORKBENCH

CONDUCTED BY: INVENTATEQ TRAINING INSTITUTE from 31.07.2023 to 05.08.2023

Date: 07.08.2023



T. J. F.

COURSE COORDINATOR

K. Anilkumar

CENTRE HEAD





INVENTATEQ TRAINING INSTITUTE

(Enter as Trainees... Exit as Professionals)

Velachery – Chennai – 600 042

## CERTIFICATE

Certificate No:938

*This is to certify that*

**ANAND.G**

Miss/Mr.....

Kamaraj College of Engineering and Technology, Virudhunagar

*Has successfully completed the training program titled*

CATIA

PARAMETRIC DESIGN USING CATIA for PART DESIGN, ASSEMBLY DESIGN and DRAFTING WORKBENCH

CONDUCTED BY: INVENTATEQ TRAINING INSTITUTE from 31.07.2023 to 05.08.2023

Date: 07.08.2023



T. J. F.

COURSE COORDINATOR

K Anilkumar

CENTRE HEAD



INVENTATEQ TRAINING INSTITUTE  
(Enter as Trainees... Exit as Professionals)  
Velachery – Chennai – 600 042

## CERTIFICATE

Certificate No:939

*This is to certify that*

**SAKTHIVEL.V**

Miss/Mr.....

Kamaraj College of Engineering and Technology, Virudhunagar

*Has successfully completed the training program titled*

CATIA

PARAMETRIC DESIGN USING CATIA for PART DESIGN, ASSEMBLY DESIGN and DRAFTING WORKBENCH

CONDUCTED BY: INVENTATEQ TRAINING INSTITUTE from 31.07.2023 to 05.08.2023

Date: 07.08.2023



T. J. J.

COURSE COORDINATOR

K. Anilkumar

CENTRE HEAD



INVENTATEQ TRAINING INSTITUTE

(Enter as Trainees... Exit as Professionals)

Velachery -- Chennai -- 600 042

## CERTIFICATE

Certificate No: 940

*This is to certify that*

**DINESH KARTHICK.M**

Miss/Mr.....

Kamaraj College of Engineering and Technology, Virudhunagar

*Has successfully completed the training program titled*

CATIA

PARAMETRIC DESIGN USING CATIA for PART DESIGN, ASSEMBLY DESIGN and DRAFTING WORKBENCH

CONDUCTED BY: INVENTATEQ TRAINING INSTITUTE from 31.07.2023 to 05.08.2023

Date: 07.08.2023



T. J. J.

COURSE COORDINATOR

K. Anilkumar

CENTRE HEAD



INVENTATEQ TRAINING INSTITUTE  
(Enter as Trainees, Exit as Professionals)  
Velachery - Chennai - 600 042

## CERTIFICATE

Certificate No:941

*This is to certify that*

**BALAGURU.A**

Miss/Mr.

Kamaraj College of Engineering and Technology, Virudhunagar

*Has successfully completed the training program titled*

CATIA

PARAMETRIC DESIGN USING CATIA for PART DESIGN, ASSEMBLY DESIGN and DRAFTING WORKBENCH

CONDUCTED BY: INVENTATEQ TRAINING INSTITUTE from 31.07.2023 to 05.08.2023

Date: 07.08.2023



*T. J. J.*

COURSE COORDINATOR

*K. Anilkumar*

CENTRE HEAD



INVENTATEQ TRAINING INSTITUTE  
(Enter as Trainees... Exit as Professionals)  
Velachery – Chennai – 600 042

## CERTIFICATE

Certificate No:942

*This is to certify that*

**PRAGATHISWARAN.V**

Miss/Mr.....

Kamaraj College of Engineering and Technology, Virudhunagar

*Has successfully completed the training program titled*

CATIA

PARAMETRIC DESIGN USING CATIA for PART DESIGN, ASSEMBLY DESIGN and DRAFTING WORKBENCH

CONDUCTED BY: INVENTATEQ TRAINING INSTITUTE from 31.07.2023 to 05.08.2023

Date: 07.08.2023



T. J. A.

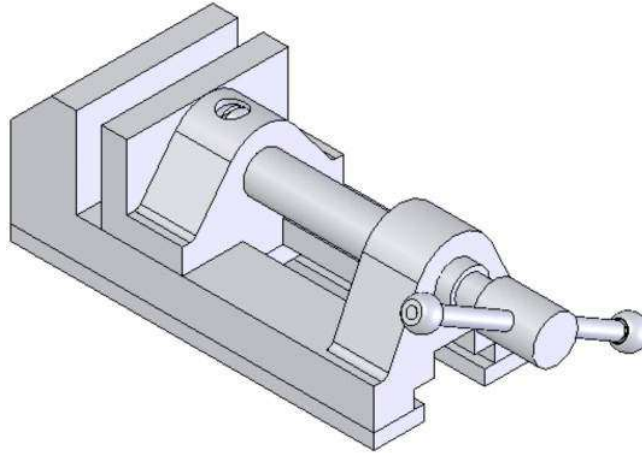
COURSE COORDINATOR

K. Anilkumar

CENTRE HEAD

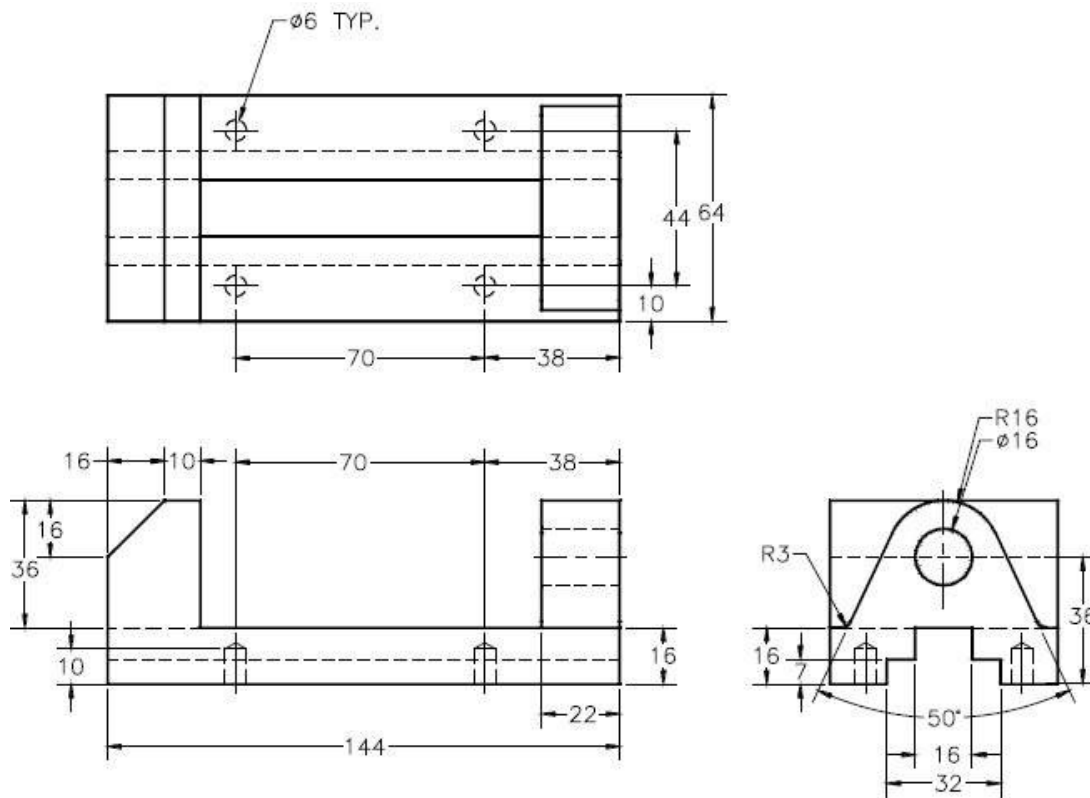
# Assignment 1

## Bench vice Assembly

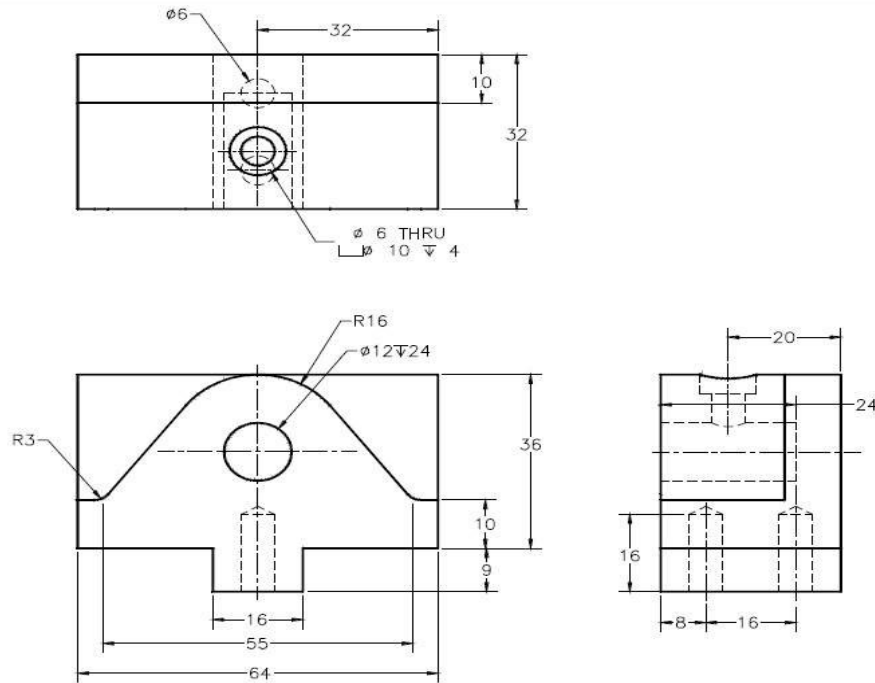


Isometric view

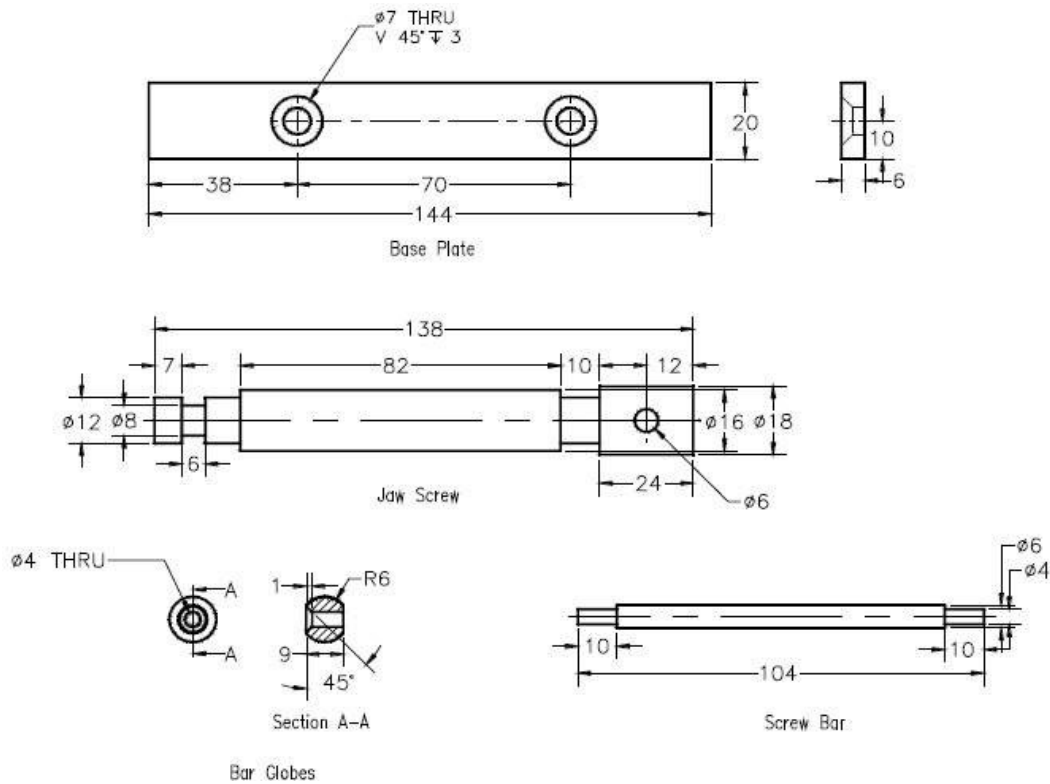
### 1. Base

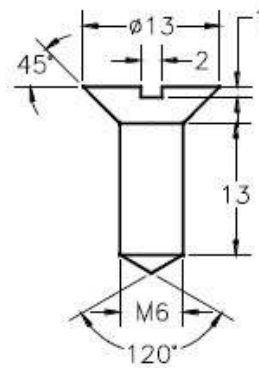
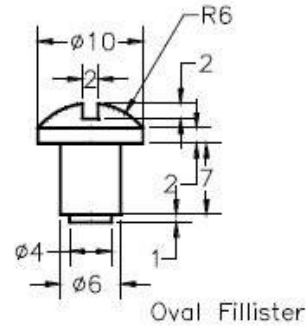
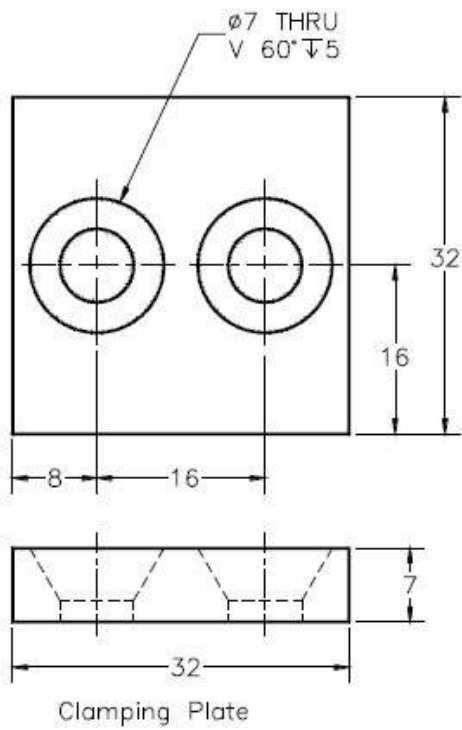


## 2. Vice Jaw

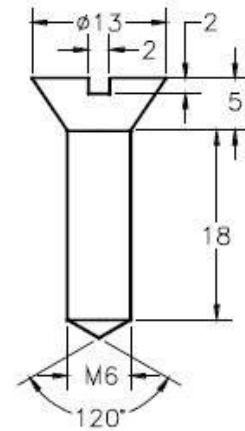


## 3. Components of Bench vice assembly





Set Screw 1

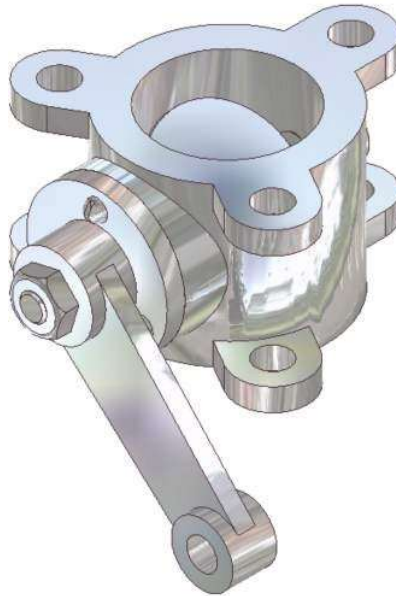


Set Screw 2



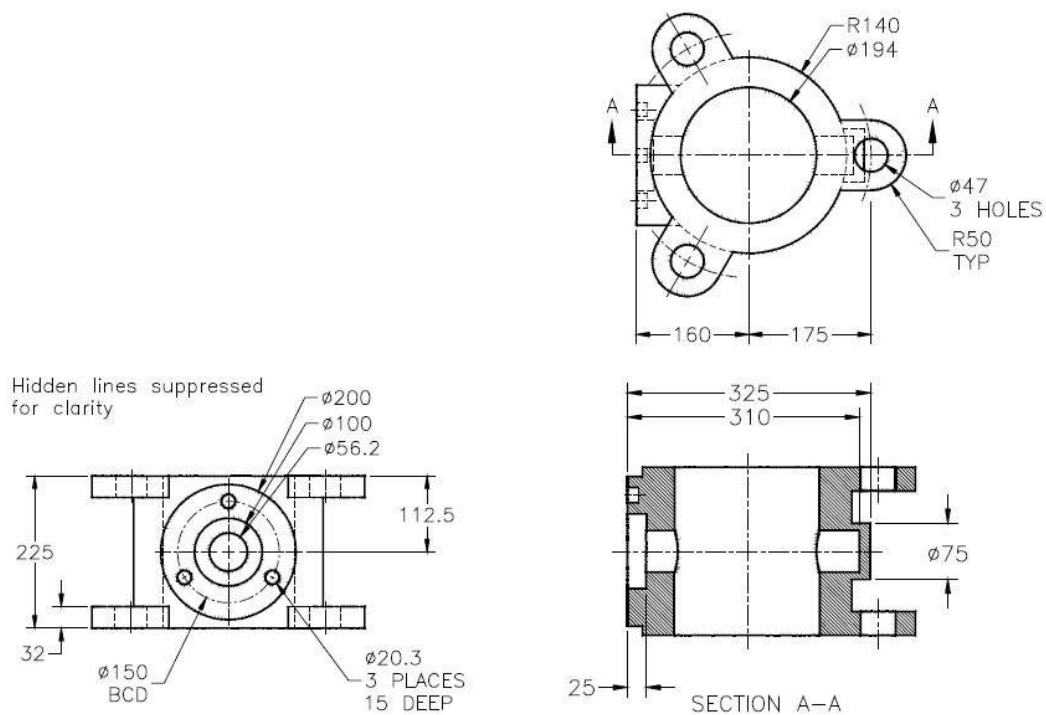
## Assignment 2

### Butterfly Valve Assembly

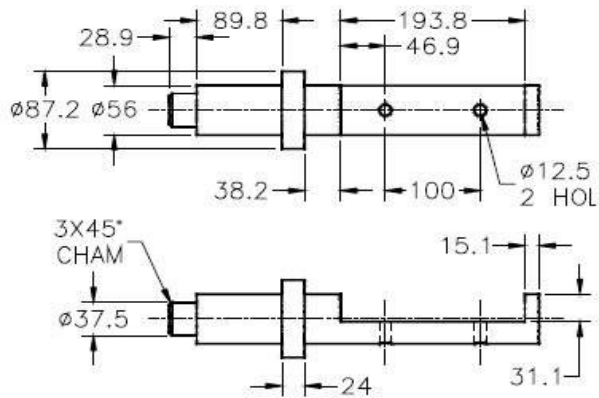


Isometric view

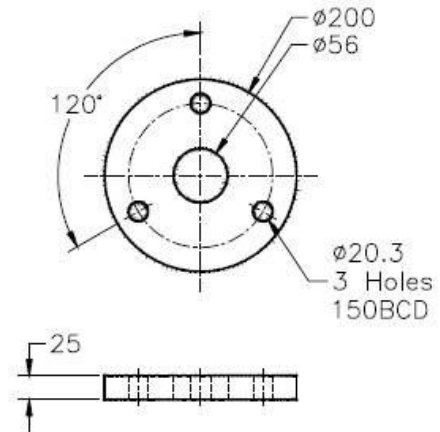
#### 1. Body



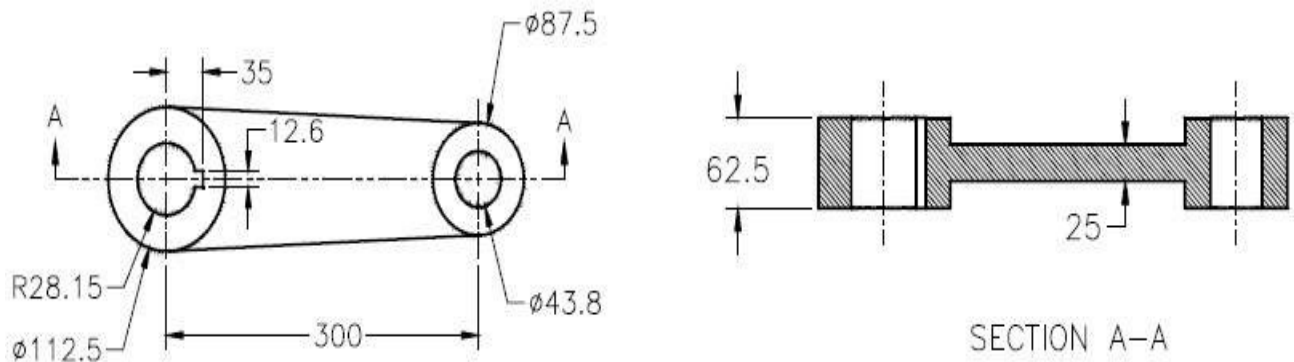
### 2. Shaft



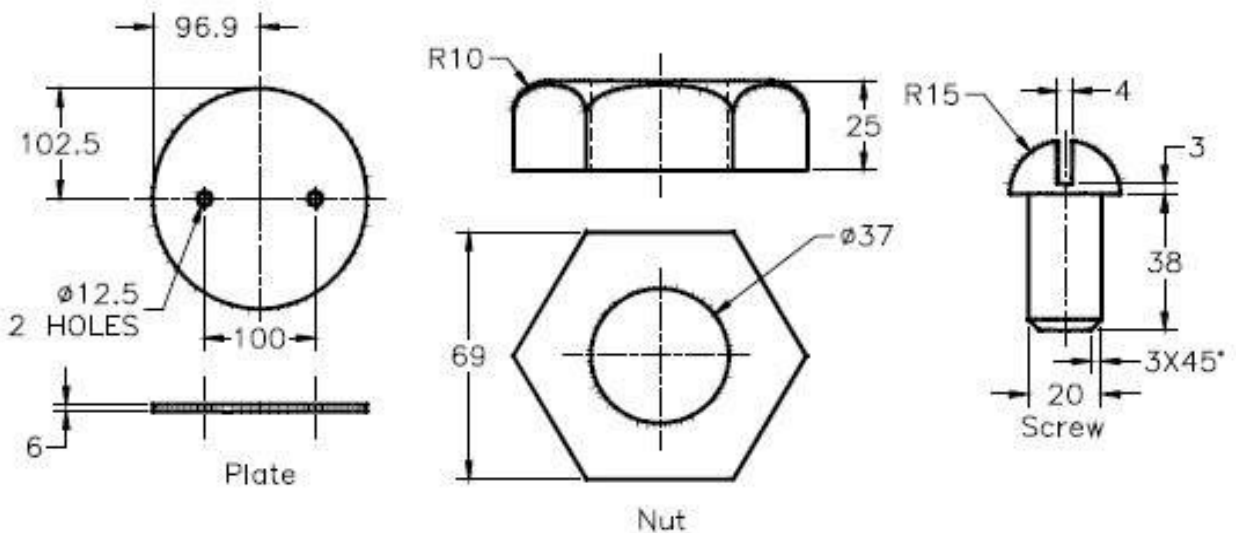
### 3. Retainer



### 4. Arm

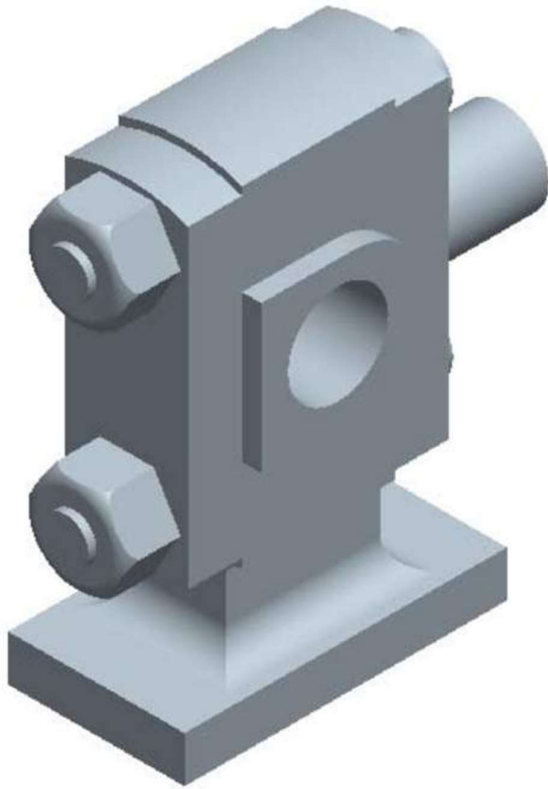


### 5. Plate, Nut and Screw

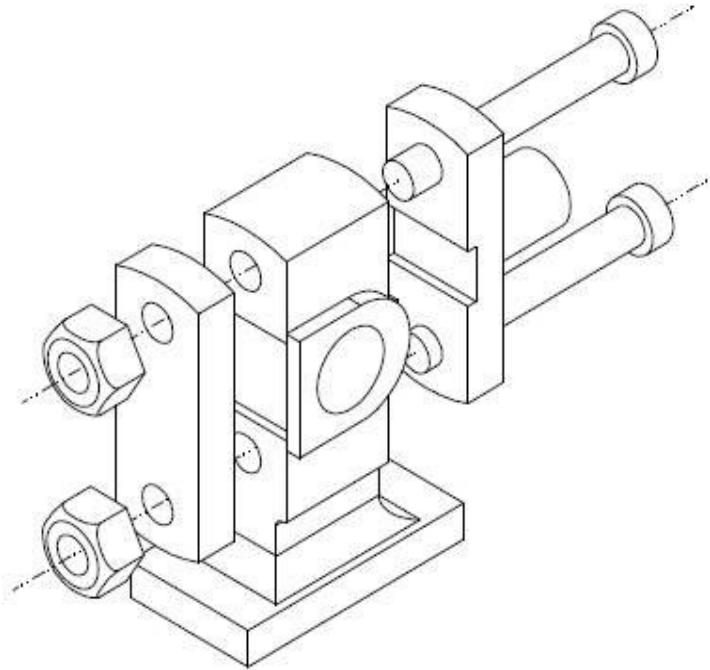


## Assignment 3

### Crosshead Assembly

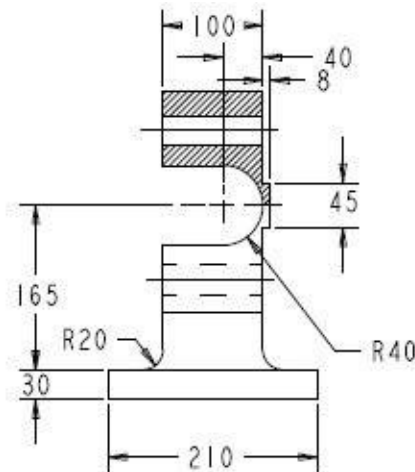


Isometric View

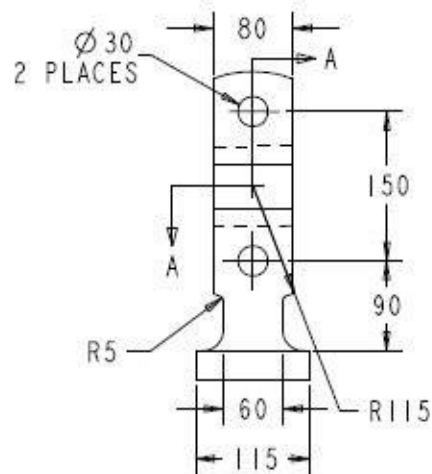


Exploded View

#### 1. Body

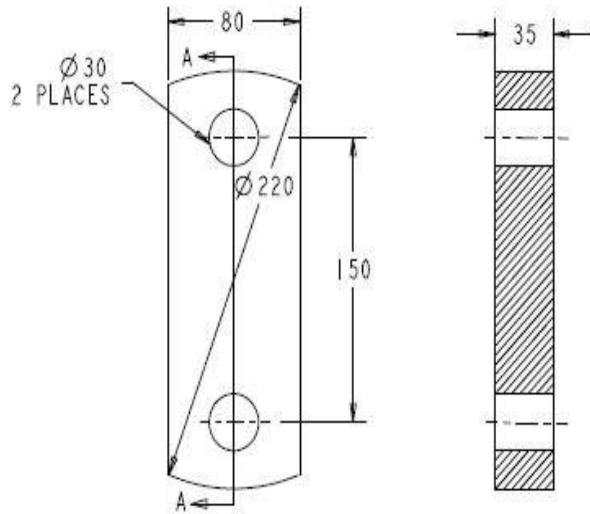


Front view

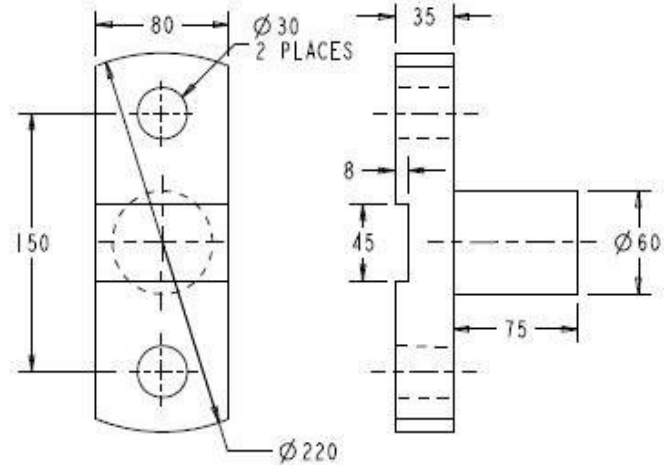


Right side view

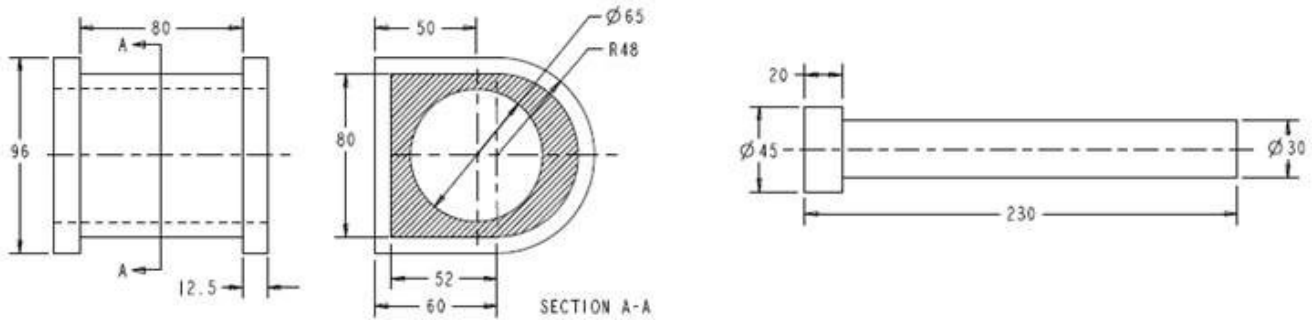
## 2. Keep Plate



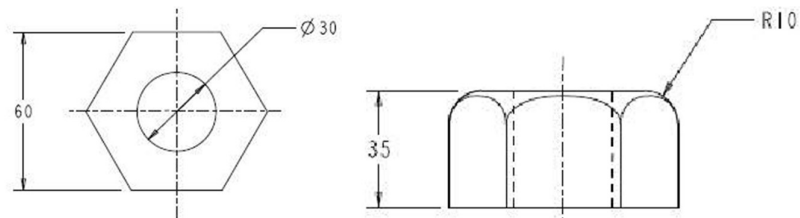
## 3. Piston Rod



## 4. Brass and Bolt

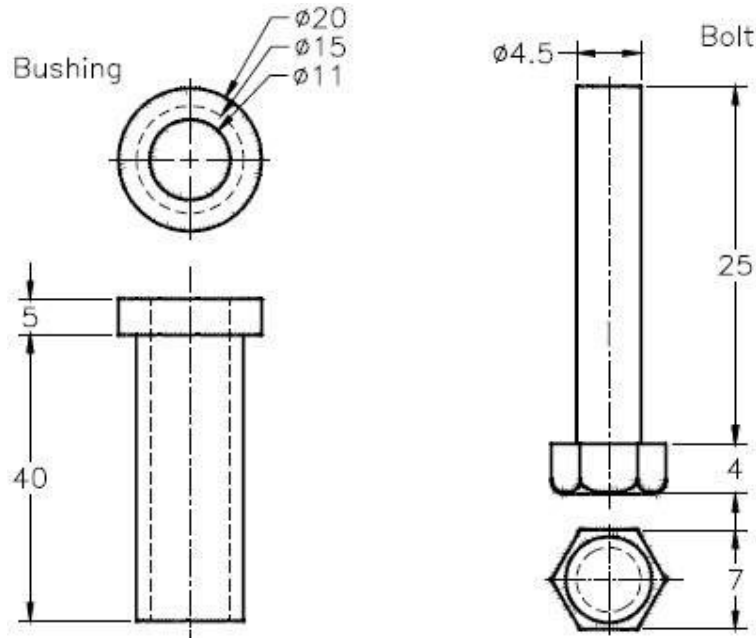


## 5. Nut



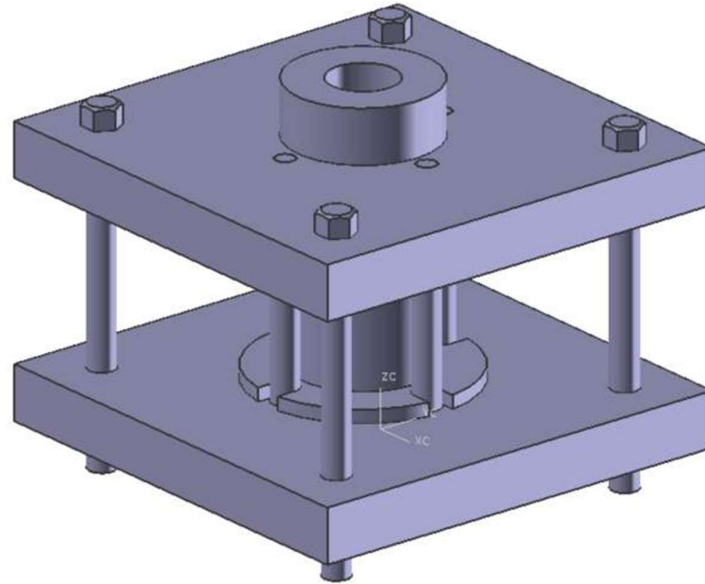


## 2. Bushing and the Bolt



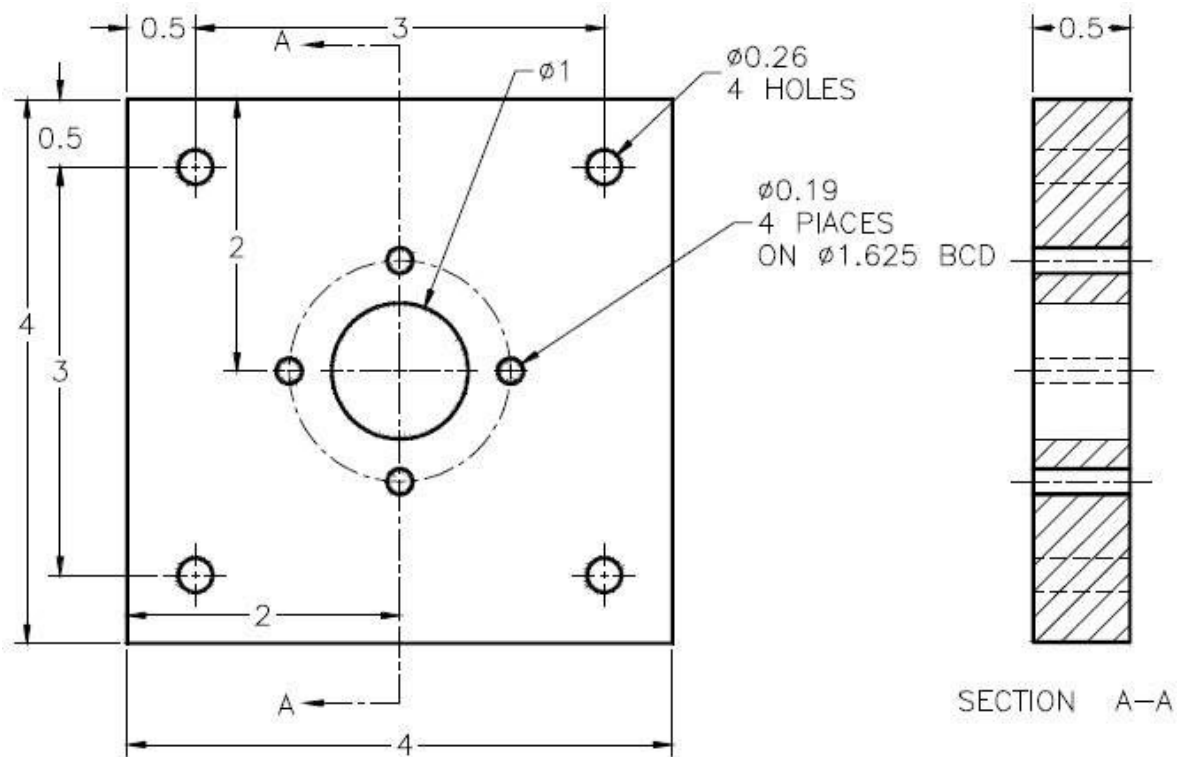
## Assignment 5

### Fixture Assembly (All dimensions in inches)

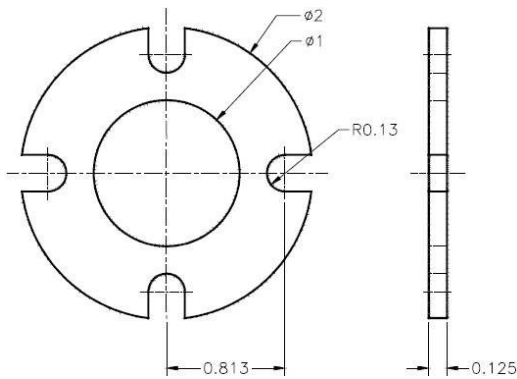


Isometric view

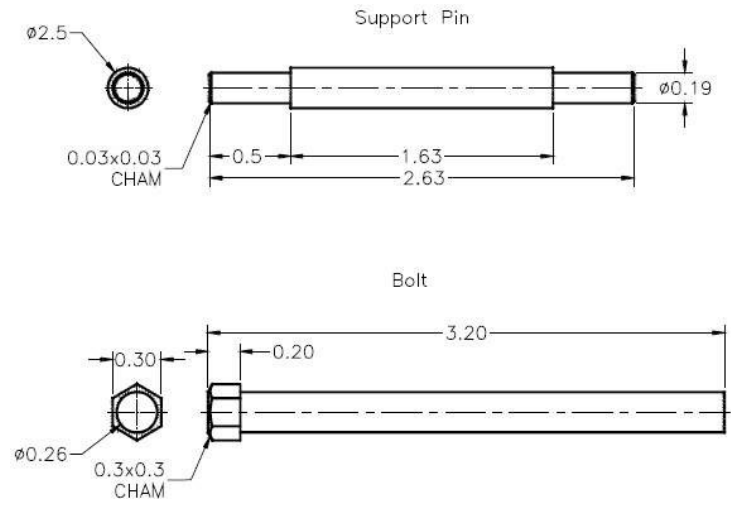
#### 1. End Plates



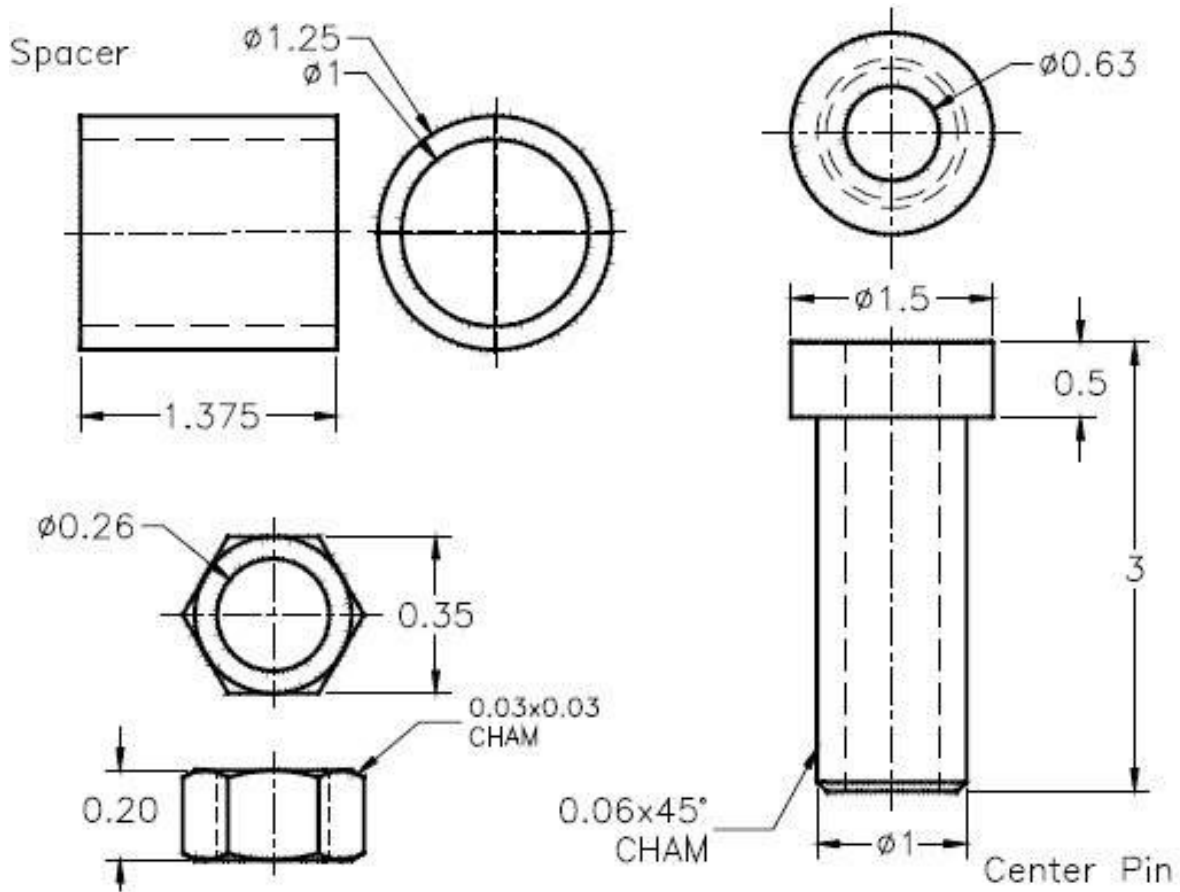
## 2. Disk



## 3. Support Pin and Bolt



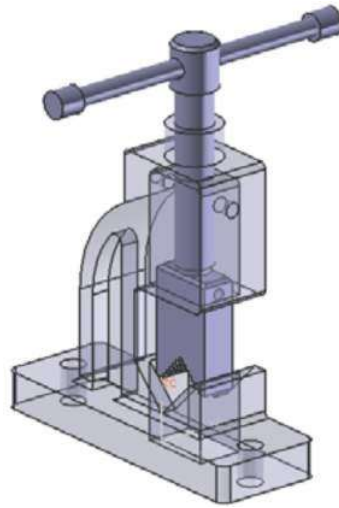
## 4. Spacer, Centre pin and the Nut





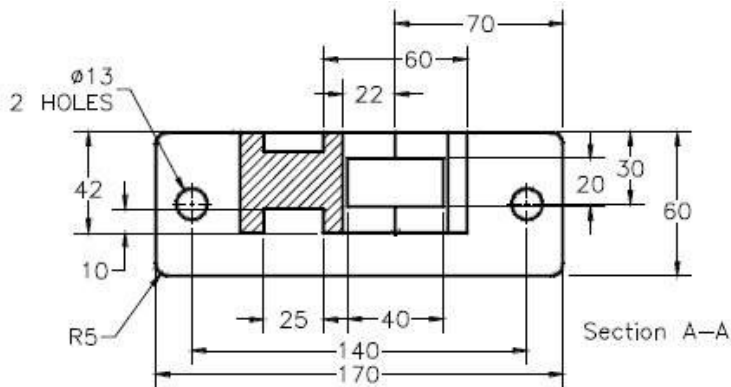
## Assignment 6

### Pipe Vice Assembly

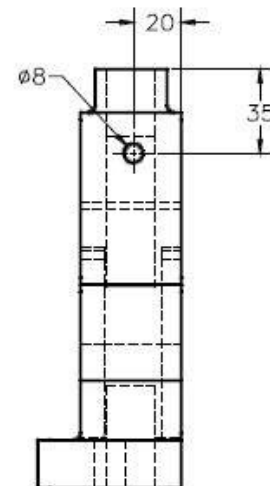
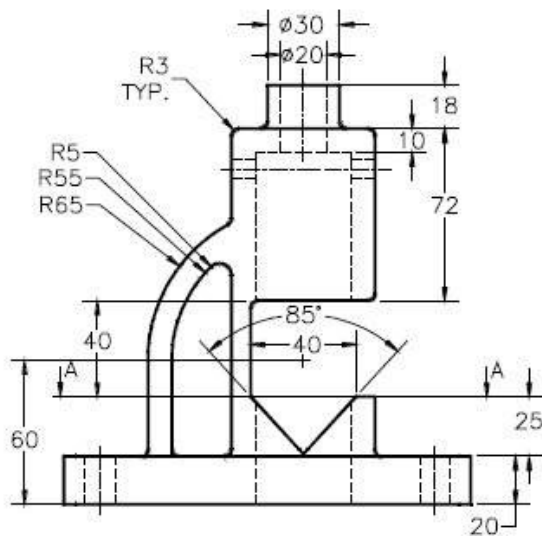


Isometric view

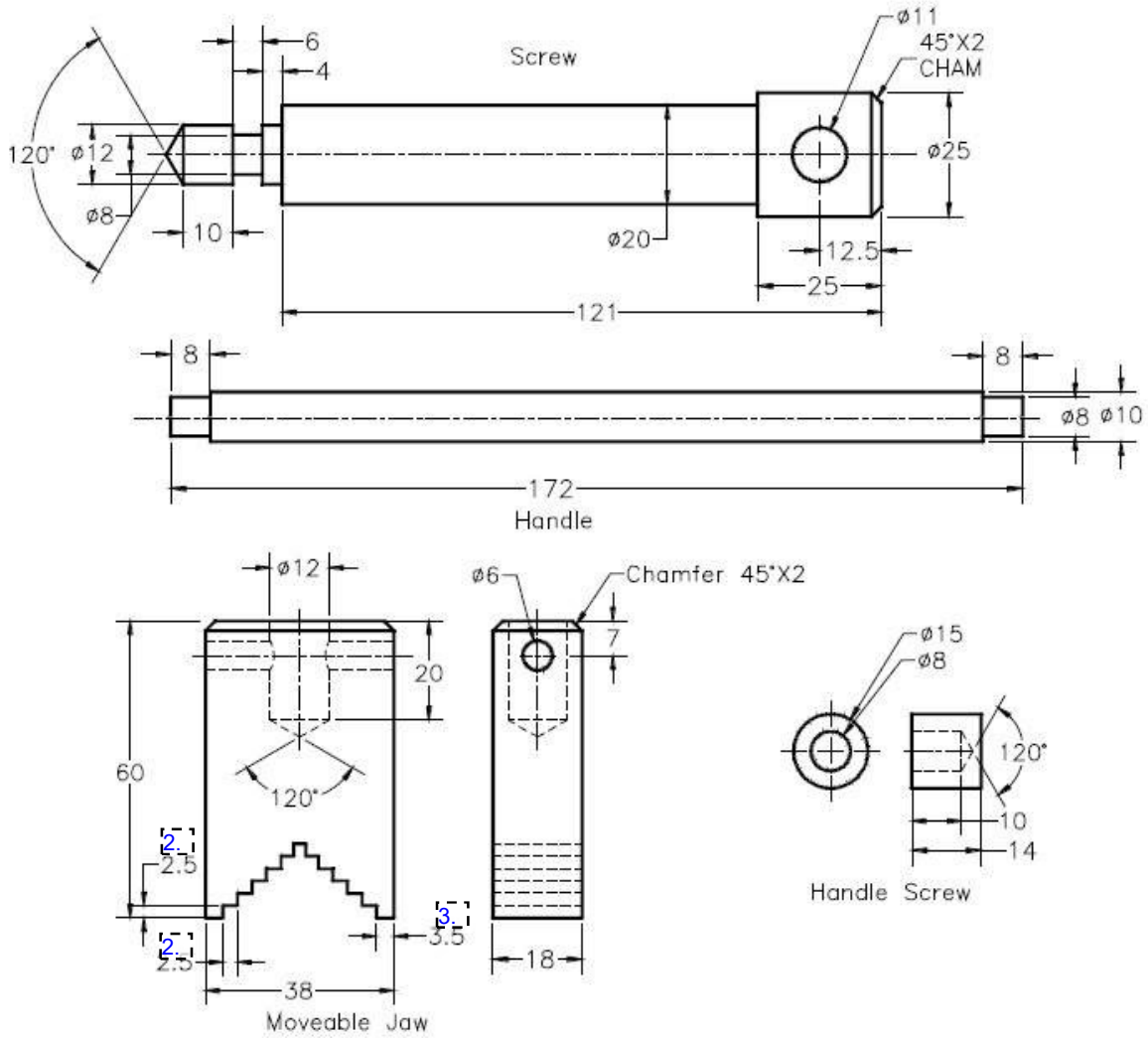
#### 1. Base



Fillet radius= 3mm, unless specified

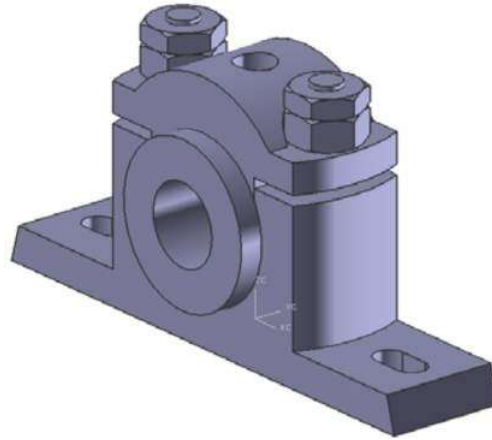


## 2. Screw, Handle, Movable Jaw and Handle Screw



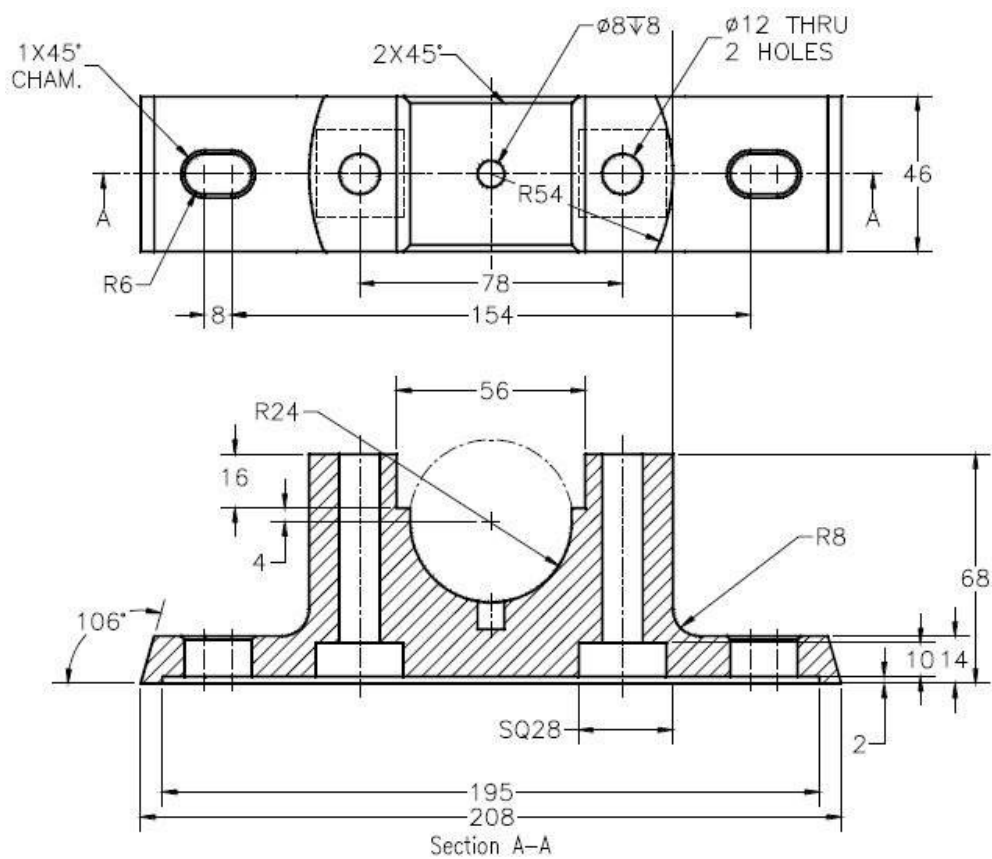
## Assignment 7

### Plummer Block Assembly

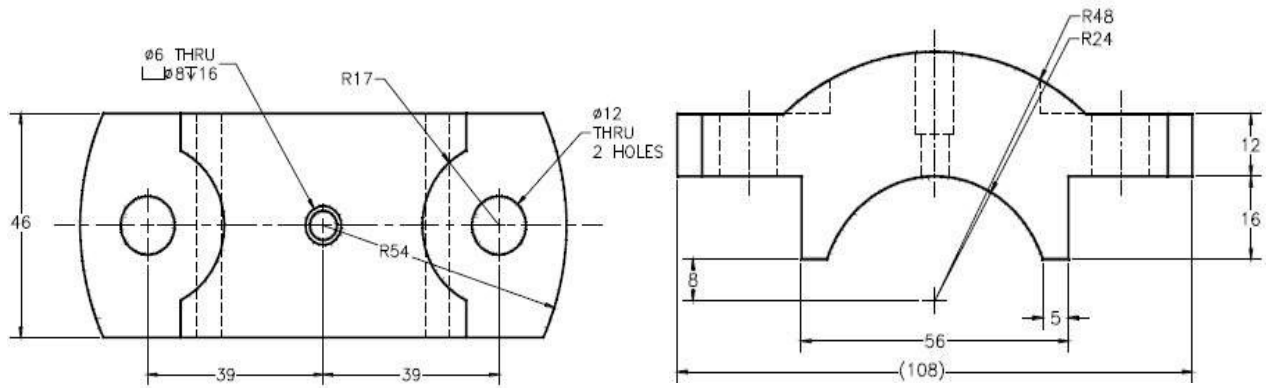


Isometric View

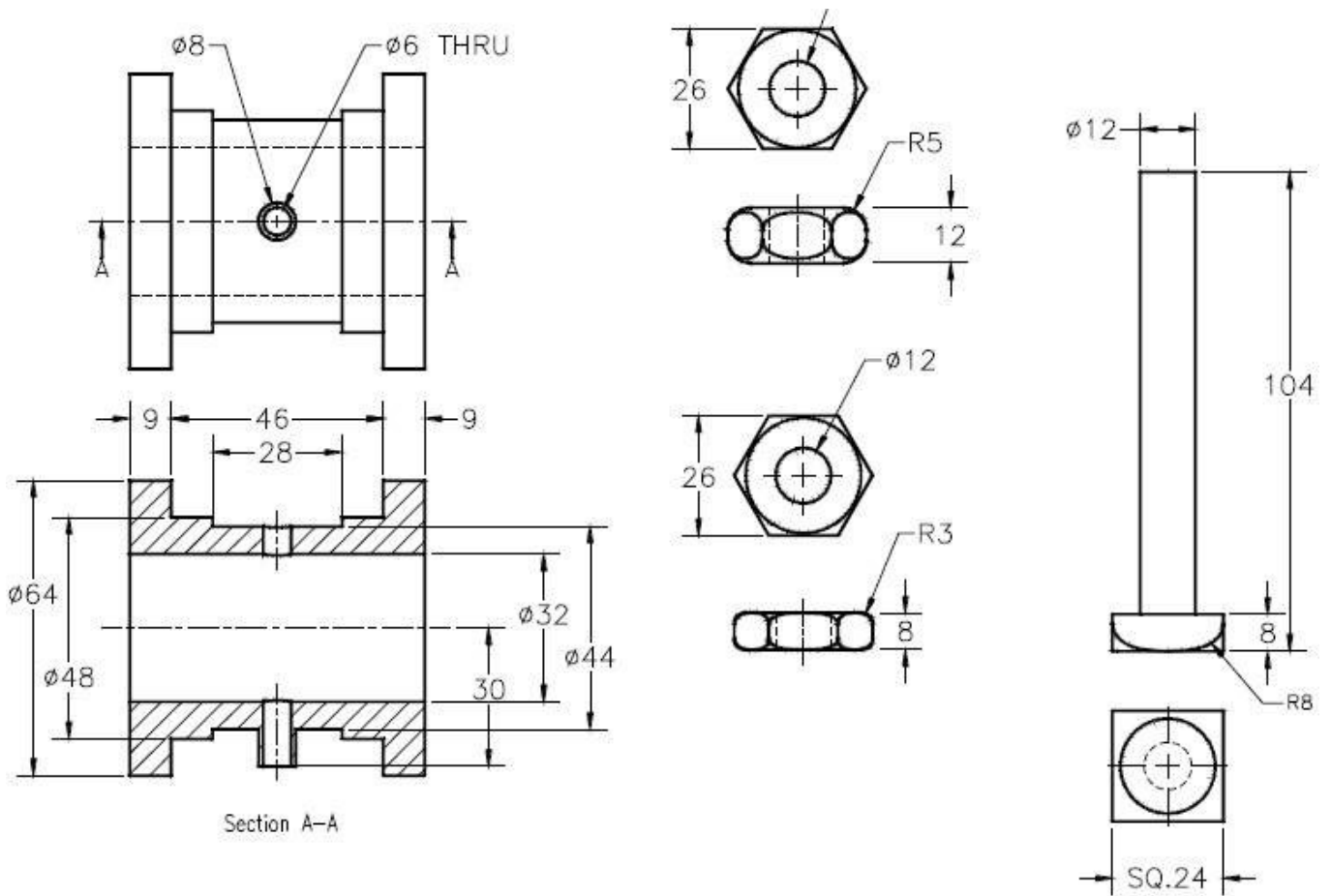
#### 1. Base



## 2. Cap

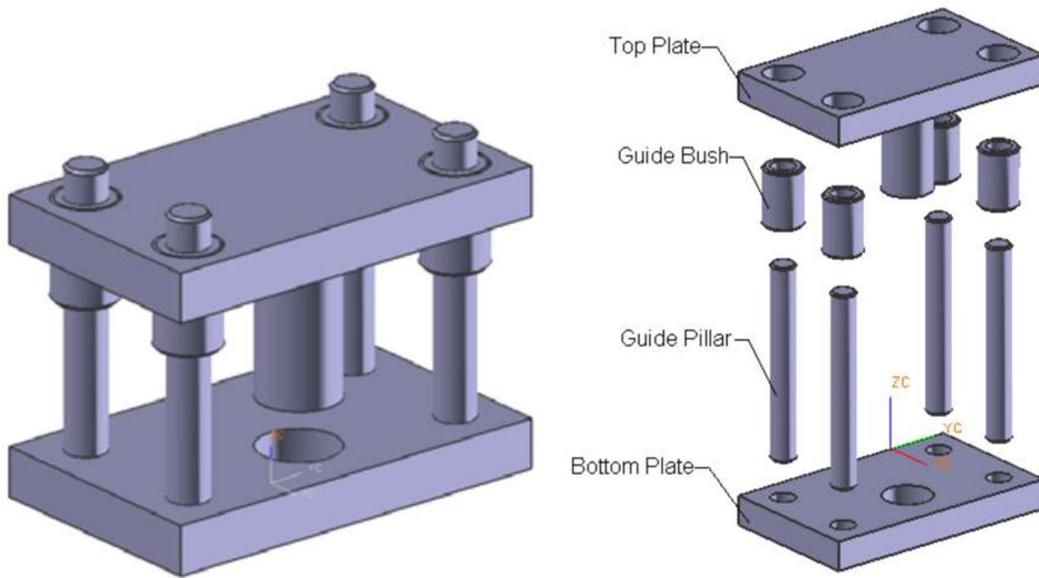


## 3. Brass, Nut, Lock Nut and Bolt



## Assignment 8

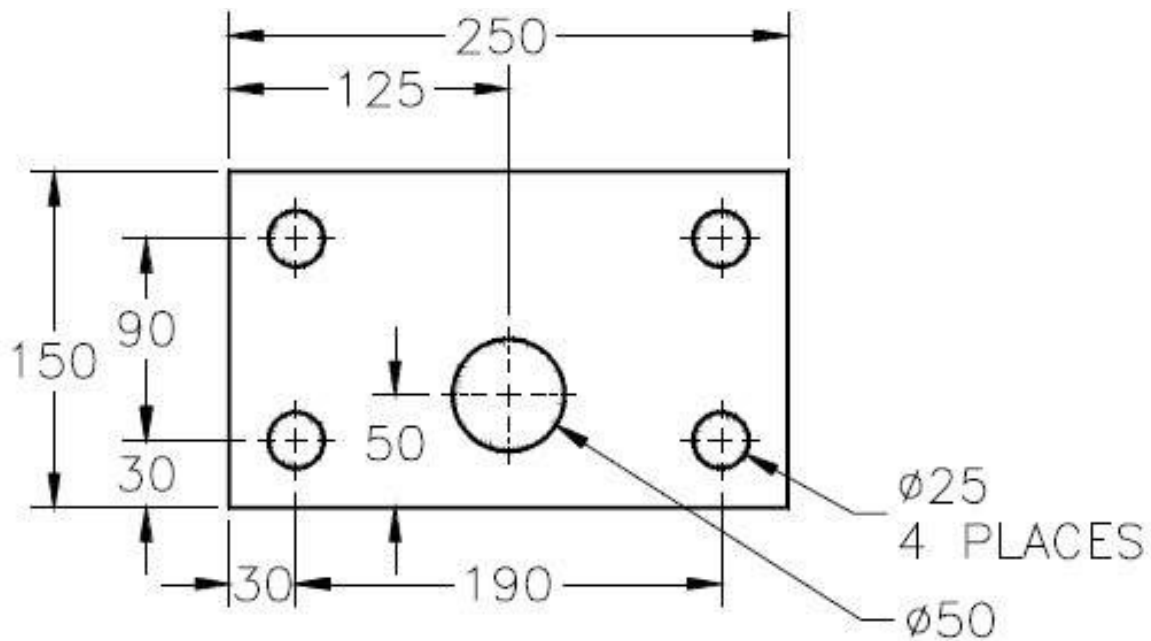
### Press Tool Assembly



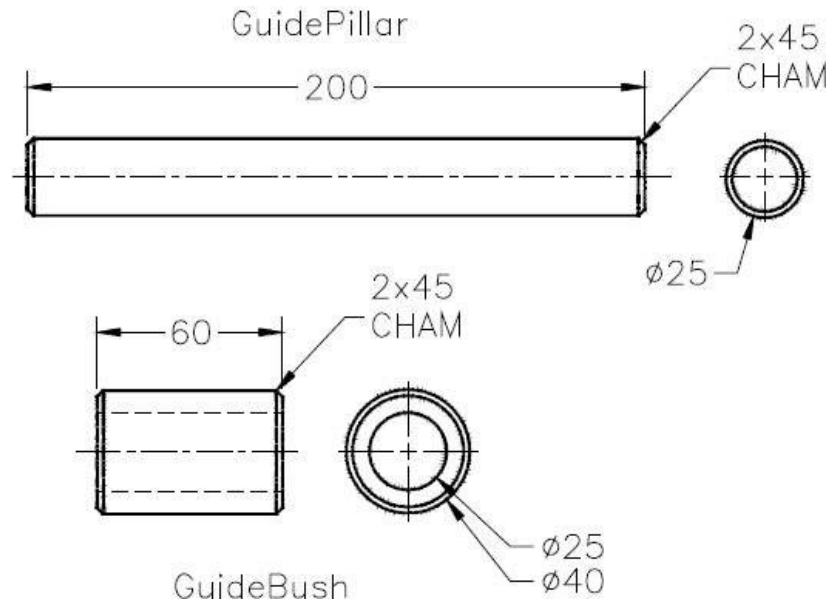
Isometric view

Exploded view

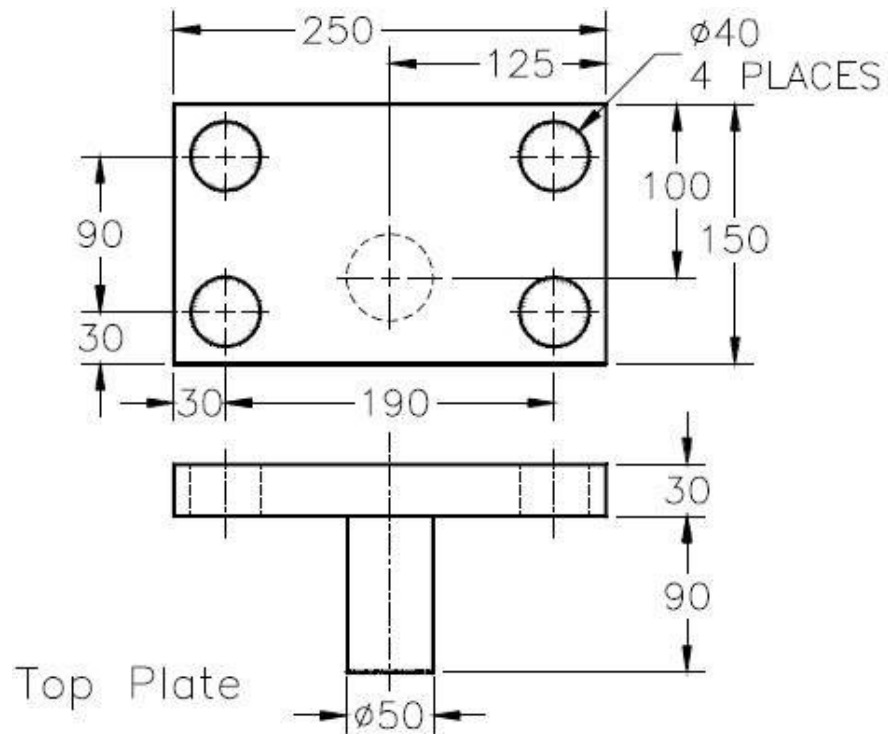
#### 1. Bottom plate



### 2. Guide pillar and Guide Bush

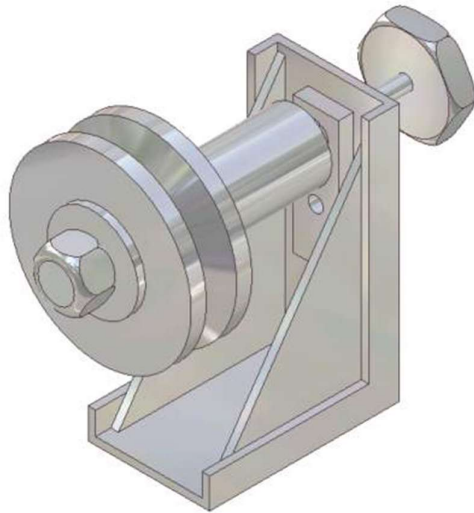


### 3. Top plate

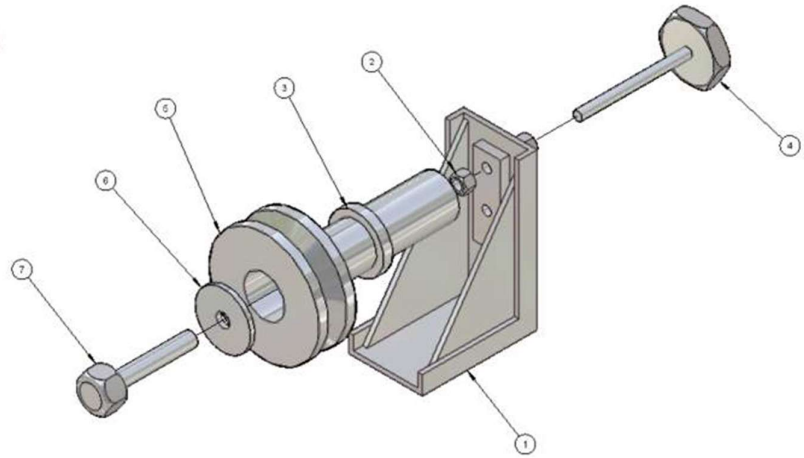


## Assignment 9

### Pulley Support Assembly

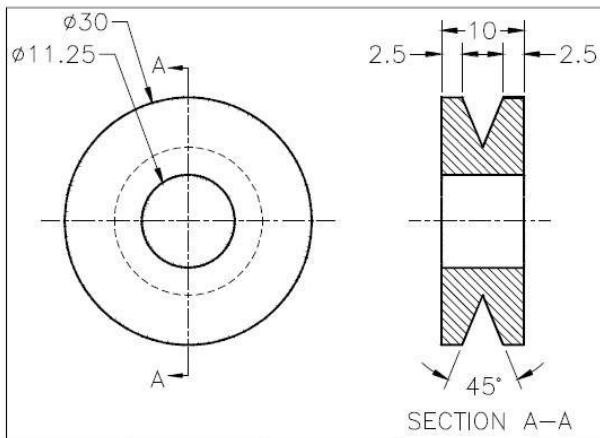


Isometric view

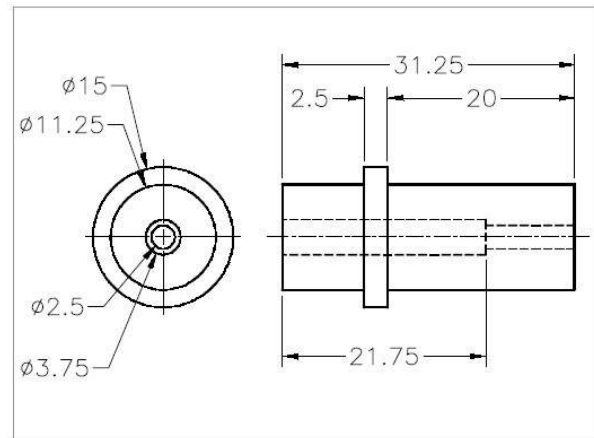


Exploded view

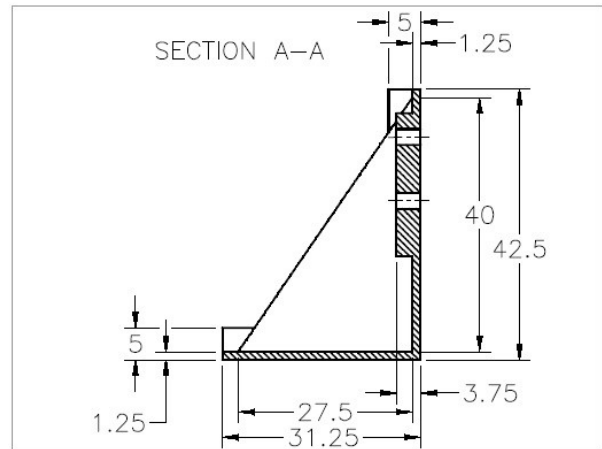
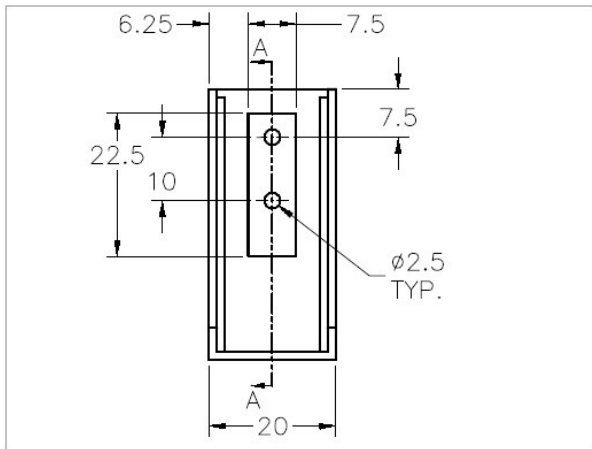
#### 1. Pulley



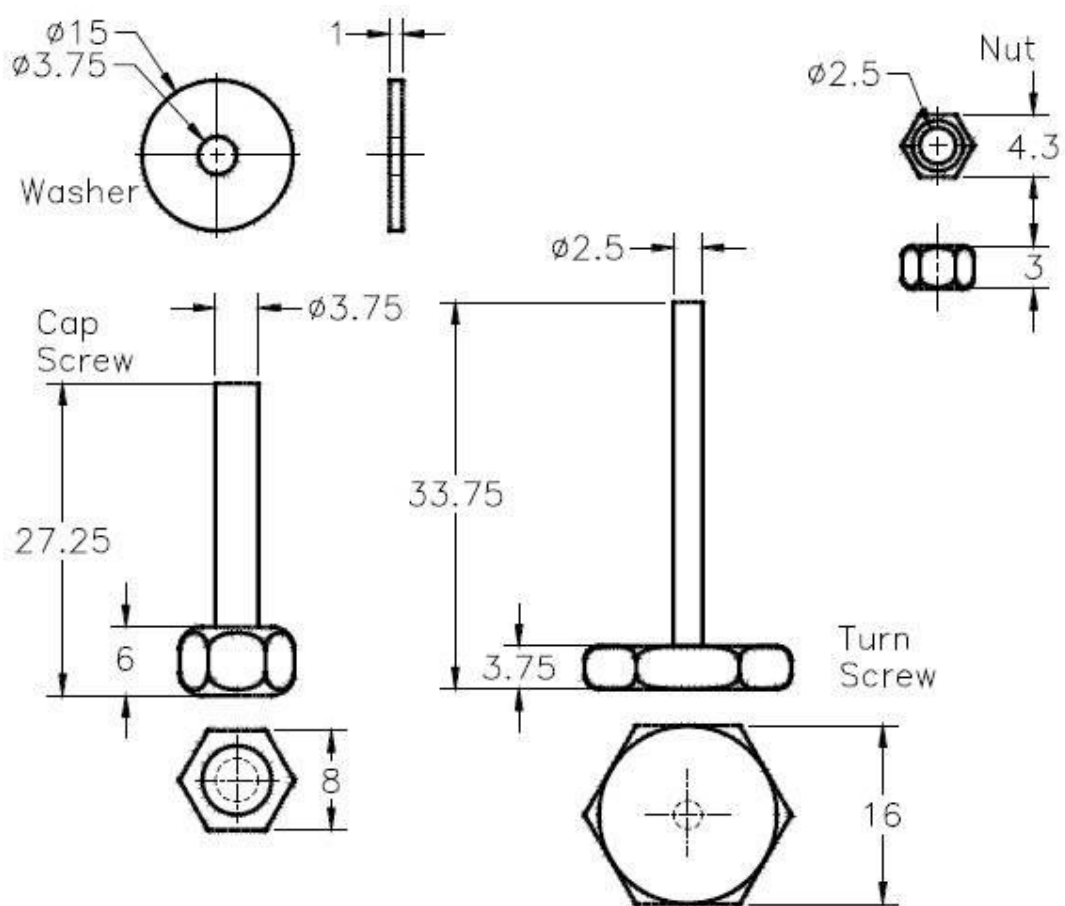
#### 2. Bushing



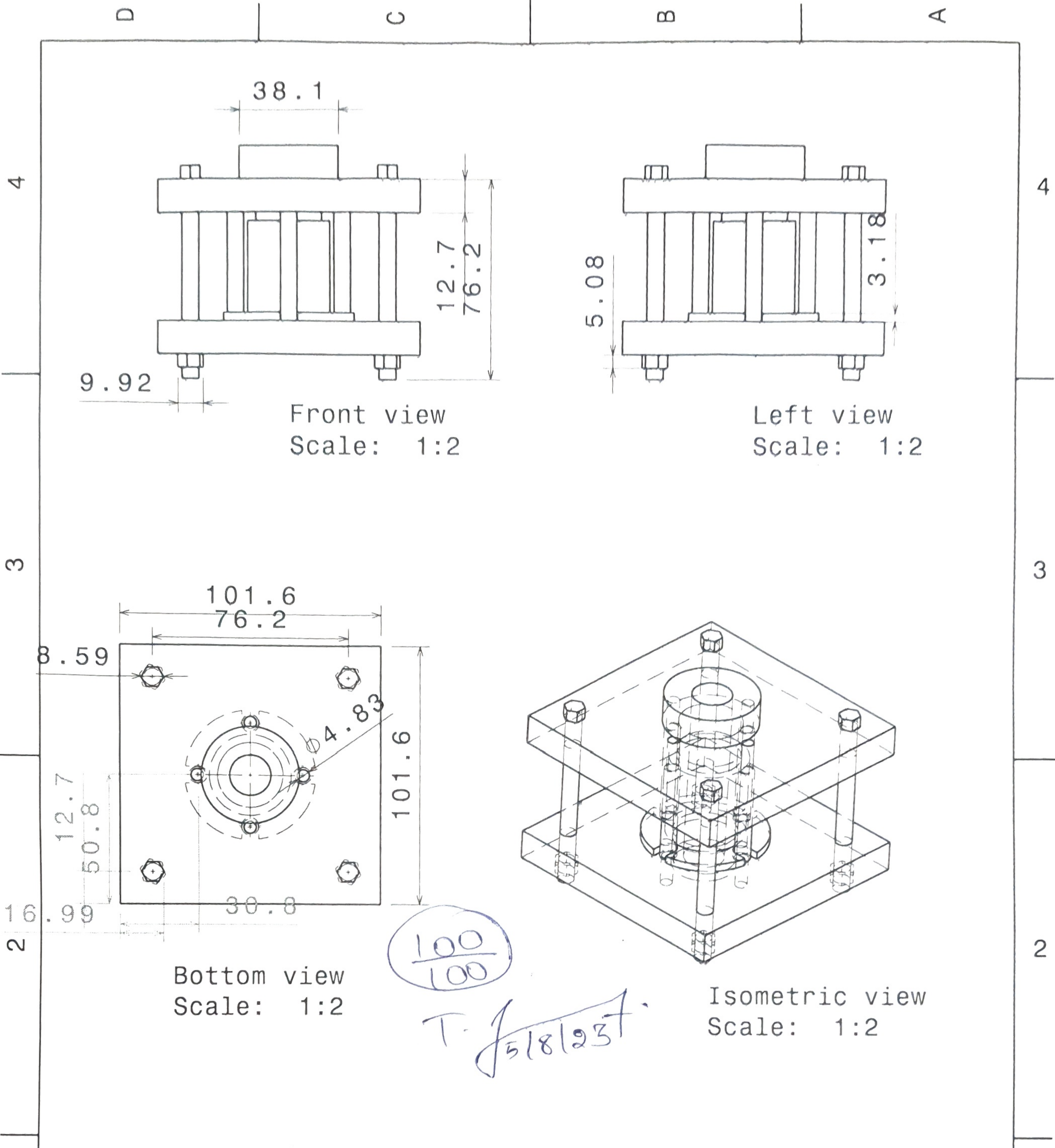
### 3. Bracket



### 4. Washer, Cap Screw, Turn Screw, and Nut







100  
100

T. J. 5/18/23

DESIGNED BY:  
mecexam02  
DATE:  
05-08-2023  
CHECKED BY:  
XXX  
DATE:  
XXX

# FIXTURE ASSEMBLY

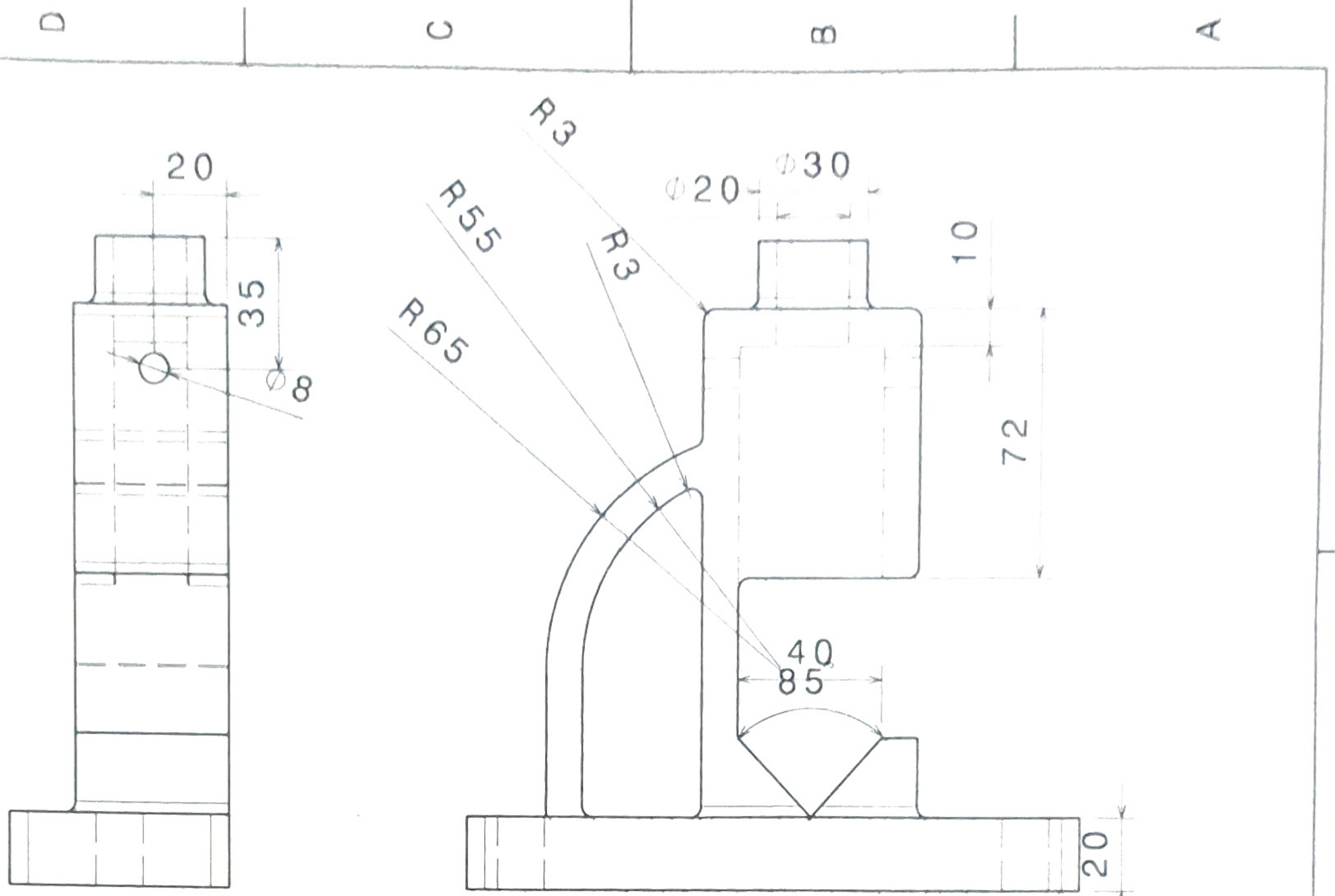
SIZE  
A4  
SCALE  
1:1  
WEIGHT (kg)  
XXX

KAMARAJ COLLEGE OF ENGINEERING & TECHNOLOGY  
DRAWING NUMBER  
XXX

SHEET  
1/1

I	-
H	-
G	-
F	-
E	-
D	-
C	-
B	-
A	-

This drawing is our property; it can't be reproduced or communicated without our written agreement.

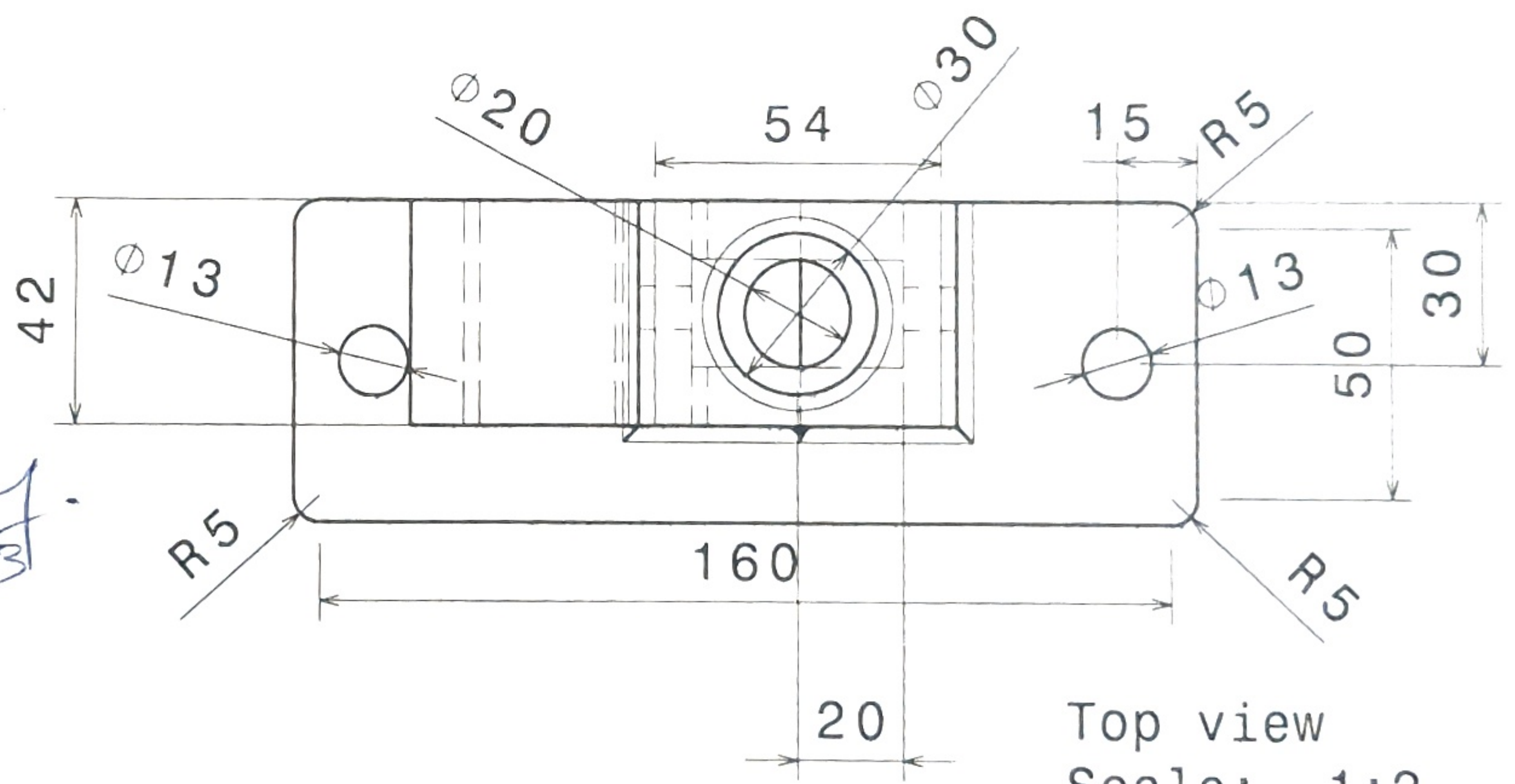


Right view  
Scale: 1:2

Front view  
Scale: 1:2

100  
100

T. J. 5/8/23



Top view  
Scale: 1:2

DESIGNED BY:  
21UME037  
DATE:  
05-08-2023  
CHECKED BY:  
XXX  
DATE:  
05-08-2023

# PIPE VICE BASE

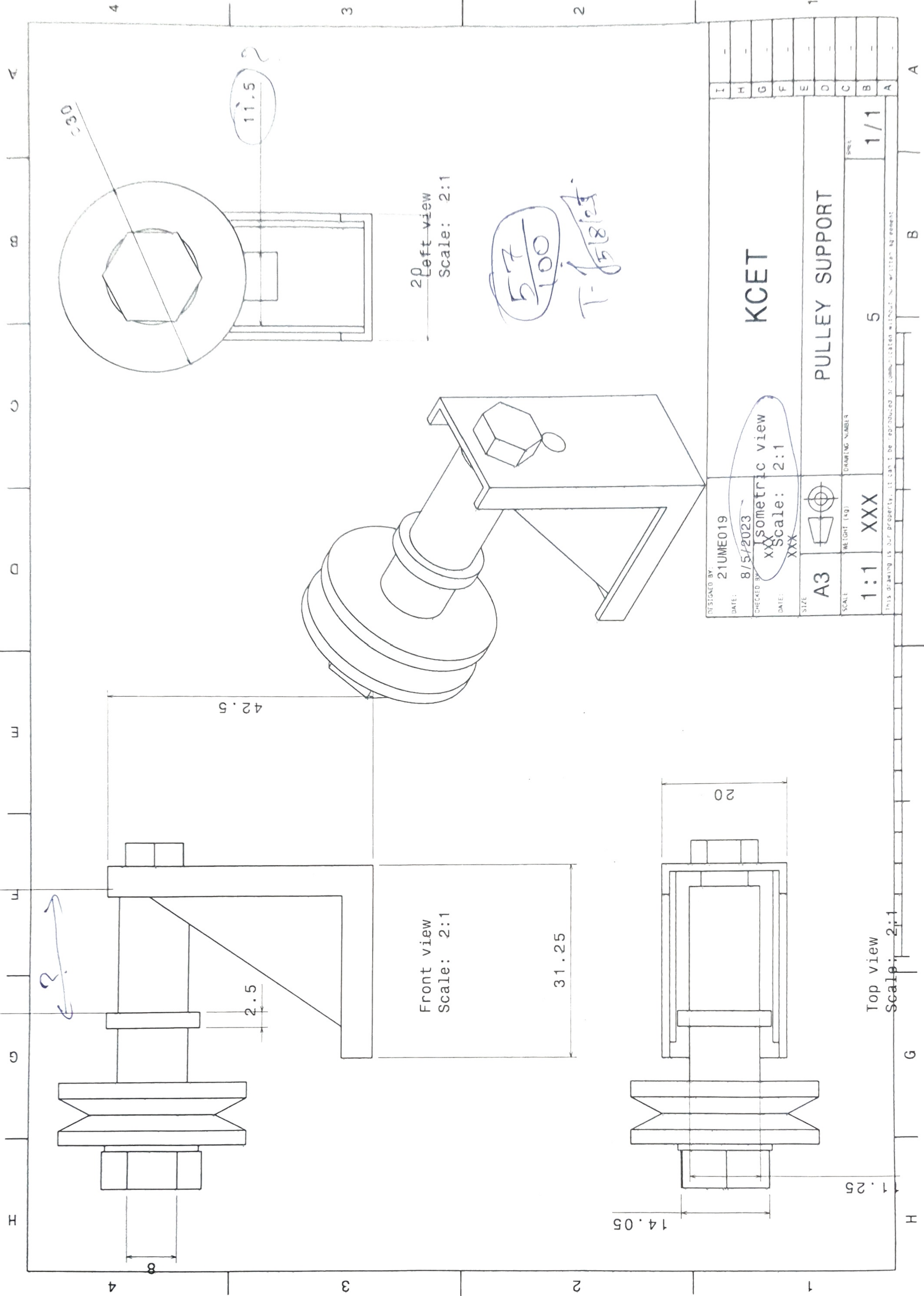
I	-
H	-
G	-
F	-
E	-
D	-
C	-
B	-
A	-

SIZE  
A4  
SCALE  
1:1  
WEIGHT (kg)  
XXX

KAMARAJ COLLEGE OF ENGINEERING & TECHNOLOGY  
DRAWING NUMBER  
PART 1

SHEET  
1/1

This drawing is our property; it can't be reproduced or communicated without our written agreement.



57  
100  
T-15/18/24

DESIGNED BY:	21UME019
DATE:	8/5/2023
CHECKED BY:	XXX
DATE:	XXX
SIZE:	A3
SCALE:	1:1
WEIGHT (kg):	XXX
DRAWING NUMBER:	PULLEY SUPPORT
SHEET:	1/1

KCET

isometric view  
Scale: 2:1

Top view  
Scale: 2:1

Left view  
Scale: 2:1

This drawing is our property. It can't be reproduced or communicated without our written agreement.



No: 2 | 11<sup>th</sup> Main Rd | G1 Es El En Manasarover, Vijayanagar,  
Velachery Main Road, Chennai- 600042

Enter as Trainees....  
Exit as Professionals

Date: 07.08.2023

Title of the Program : Value Added Course on "CATIA"  
Date: 31.07.2023 to 05.08.2023  
Participants : III year (2021 – 2025 Batch)  
Academic Year: 2023 - 2024  
Venue : Kamaraj College of Engineering and Technology, Virudhunagar

Mark sheet

S.No	Roll Number	Name	Part Diagram	Assembly Diagram	Drawing Mode	Team Work	Total out of 100
			40 Mark	30 Marks	20 Marks	10 Marks	
1	21UME001	MURALI KRISHNAN.R	35	23	18	10	86
2	21UME002	JEGADEESH.M	25	10	12	10	57
3	21UME003	SAKTHIVEL.M	38	30	20	10	98
4	21UME004	GOKULRAJ.K	33	20	17	8	78
5	21UME005	VISHNUVARDHAN.K	35	20	20	10	85
6	21UME006	VEERANDRA SEVAK.P	30	15	15	10	70
7	21UME007	DHANUSH KUMAR.A	35	25	17	10	87
8	21UME008	MADHAV VENKATESH.J	33	20	18	10	81
9	21UME009	SIVA BALAN.K	30	20	18	10	78
10	21UME010	CHANDRU.V	30	18	17	10	75
11	21UME011	HARIHARAN.N	36	27	19	10	92
12	21UME012	MITHUN.S	30	15	10	10	65
13	21UME013	KIRAN.S	30	15	10	10	65
14	21UME014	ALWYN JOSHUA.J	30	15	15	10	70
15	21UME015	KANNAN.M	35	25	17	10	87
16	21UME016	KIRUBAKARAN.S	30	15	15	10	70
17	21UME017	ASRAFMOHAMED.A	20	15	18	10	63
18	21UME018	DEEPAK KUMAR.C	28	20	15	10	73
19	21UME019	KAVIYARASAN.M	35	30	15	10	90
20	21UME020	THIRUMURUGAN.P	30	20	15	10	75
21	21UME021	RAMAR.A	30	18	15	10	73
22	21UME022	MUTHAMIL ARASAN.M	-	-	-	-	Absent
23	21UME023	NAGENDRA KUMAR.B	30	20	16	10	76
24	21UME024	MOHAMMED ASHIF.N	30	15	15	10	70
25	21UME025	SIVA SETHU RAJAN.B	30	15	15	7	67
26	21UME026	KAUSIK.O.B	30	15	10	10	65

T. J. 7/8/23



No: 2 | 11<sup>th</sup> Main Rd | G1 Es El En Manasarover, Vijayanagar,  
Velachery Main Road, Chennai- 600042

Enter as Trainees....  
Exit as Professionals

27	21UME027	RAMACHANDRAN.S	30	25	18	10	<b>83</b>
28	21UME028	SHAFIQ AHAMED.K	30	15	10	10	<b>65</b>
29	21UME029	ALITIA B ALMEDA	30	25	20	10	<b>85</b>
30	21UME030	KARAN.V	30	25	17	10	<b>82</b>
31	21UME031	KALIRAJ.A	28	20	15	10	<b>73</b>
32	21UME032	ARAVIND KUMAR.M	30	20	20	10	<b>80</b>
33	21UME033	KISHORE.S	35	15	20	10	<b>80</b>
34	21UME034	SRIVASAN.G.R	40	30	20	10	<b>100</b>
35	21UME035	YOGESHWARAN.K.M	40	25	20	10	<b>95</b>
36	21UME036	NIJO PRASAD	30	20	20	7	<b>77</b>
37	21UME037	THIRU KUMARAN.S	40	30	20	10	<b>100</b>
38	21UME038	VIGNESHKUMAR.P	32	23	17	10	<b>82</b>
39	21UME039	ANAND.G	35	25	18	10	<b>88</b>
40	21UME040	SAKTHIVEL.V	33	20	18	10	<b>81</b>
41	21UME041	DINESH KARTHICK.M	20	15	15	6	<b>56</b>
42	21UME042	BALAGURU.A	30	30	18	10	<b>88</b>
43	21UME043	PRAGATHISWARAN.V	30	20	10	10	<b>70</b>

T. J. 17/8/23  
COURSE COORDINATOR

**Department of Mechanical Engineering**

Title of the Program : Value Added Course on "CATIA"

Date: 31.07.2023 to 05.08.2023

Participants : III year (2021 – 2025 Batch)

Academic Year: 2023 - 2024

Conducted by : Inventatec, Chennai

Venue : KCER-MECH-CAD Lab

**Mark sheet**

S.No	Roll Number	Name	Total out of 100
1	21UME001	MURALI KRISHNAN.R	86
2	21UME002	JEGADEESH.M	57
3	21UME003	SAKTHIVEL.M	98
4	21UME004	GOKULRAJ.K	78
5	21UME005	VISHNUVARDHAN.K	85
6	21UME006	VEERANDRA SEVAK.P	70
7	21UME007	DHANUSH KUMAR.A	87
8	21UME008	MADHAV VENKATESH.J	81
9	21UME009	SIVA BALAN.K	78
10	21UME010	CHANDRU.V	75
11	21UME011	HARIHARAN.N	92
12	21UME012	MITHUN.S	65
13	21UME013	KIRAN.S	65
14	21UME014	ALWYN JOSHUA.J	70
15	21UME015	KANNAN.M	87
16	21UME016	KIRUBAKARAN.S	70
17	21UME017	ASRAFMOHAMED.A	63
18	21UME018	DEEPAK KUMAR.C	73
19	21UME019	KAVIYARASAN.M	90
20	21UME020	THIRUMURUGAN.P	75
21	21UME021	RAMAR.A	73
22	21UME022	MUTHAMIL ARASAN.M	Absent
23	21UME023	NAGENDRA KUMAR.B	76
24	21UME024	MOHAMMED ASHIF.N	70
25	21UME025	SIVA SETHU RAJAN.B	67
26	21UME026	KAUSIK.O.B	65
27	21UME027	RAMACHANDRAN.S	83
28	21UME028	SHAFIQ AHAMED.K	65
29	21UME029	ALITIA B ALMEDA	85
30	21UME030	KARAN.V	82
31	21UME031	KALIRAJ.A	73

Department of Mechanical Engineering

Title of the Program : Value Added Course on "CATIA"

Date: 31.07.2023 to 05.08.2023

Participants : III year (2021 – 2025 Batch)

Academic Year: 2023 - 2024

Conducted by : Inventatec, Chennai

Venue : KCER-MECH-CAD Lab

S.No	Roll Number	Name	Total out of 100
32	21UME032	ARAVIND KUMAR.M	80
33	21UME033	KISHORE.S	80
34	21UME034	SRIVASAN.G.R	100
35	21UME035	YOGESHWARAN.K.M	95
36	21UME036	NIJO PRASAD	77
37	21UME037	THIRU KUMARAN.S	100
38	21UME038	VIGNESHKUMAR.P	82
39	21UME039	ANAND.G	88
40	21UME040	SAKTHIVEL.V	81
41	21UME041	DINESH KARTHICK.M	56
42	21UME042	BALAGURU.A	88
43	21UME043	PRAGATHISWARAN.V	70

*n.e.k*  
Coordinators

*J. S. J. K. G. L.*  
08/08/23  
HoD/Mech

*R. S. - Sar*  
8/8/23  
Dean (Academic Courses)

# Feedback Form | CATIA | III Year | Value Added Course

**Title of the Program** : Value-Added Course for "CATIA"

**Participants** : III-year students

**Date** : 31.07.2023 to 05.08.2022

**Conducted by** : Inventateq Chennai.

## **In-charge from Industries**

Er.**Jaffar T**

**APPLICATION ENGINEER**

**INVENTATEQ TRAINING INSTITUTE**

(Enter as Trainees Exit as Professionals)

Velachery – Chennai - 42

## **Coordinators:**

Madhan N R, AP/Mech,

Department of Mechanical Engineering,

**Instructions:** Please indicate your level of agreement the statements listed below

4 Star - Strong Agree

3 Star - Agree

2 Star - Neutral

1 Star - Dis-Agree

\* Required

\* This form will record your name, please fill your name.



1. The objectives of the training were clearly defined by the Co-ordinator \*



2. Participation and interaction were encouraged. \*



3. The topics covered were relevant to me. \*



4. The content was organized and easy to follow. \*



5. This training experience will be useful me. \*



6. The trainer was knowledgeable about the training topics. \*



7. The trainer was well prepared. \*



8. The training objectives were met. \*



9. The time allotted for the training was sufficient \*



10. CAD Lab were adequate and comfortable. \*



### Your view about this programme

11. What did you like most about this training? \*

12. What aspects of the training could be improved? \*

13. How do you hope to change your practice as a result of this training? \*

14. Please share over all comments about this programme. \*

15. Do you suggest this programme to your juniors? \*

Yes

No

*Kindly have the above question for VAC on CATIA*  
*N.R.*

*S. S. Thakur*

This content is neither created nor endorsed by Microsoft. The data you submit will be sent to the form owner.



### Review: Feedback Form | CATIA | III Year | Value Added Course

Respondent

1 ALWYN JOSHUA.J

02:09

Time to complete

- 1. The objectives of the training were clearly defined by the Co-ordinator \* Score / 0 pts

★ ★ ★ ☆
  
- 2. Participation and interaction were encouraged. \* Score / 0 pts

★ ★ ★ ☆
  
- 3. The topics covered were relevant to me. \* Score / 0 pts

★ ★ ★ ★
  
- 4. The content was organized and easy to follow. \* Score / 0 pts

★ ★ ★ ☆
  
- 5. This training experience will be useful me. \* Score / 0 pts

★ ★ ★ ☆
  
- 6. The trainer was knowledgeable about the training topics. \* Score / 0 pts

★ ★ ★ ★
  
- 7. The trainer was well prepared. \* Score / 0 pts

★ ★ ★ ★
  
- 8. The training objectives were met. \* Score / 0 pts

★ ★ ★ ★
  
- 9. The time allotted for the training was sufficient \* Score / 0 pts

★ ★ ★ ★

10. CAD Lab were adequate and comfortable? \*

Score / 0 pts



Your view about this programme

11. What did you like most about this training? \*

Score / 0 pts

It was useful

12. What aspects of the training could be improved? \*

Score / 0 pts

Nothing

13. How do you hope to change your practice as a result of this training? \*

Score / 0 pts

Daily learning

14. Please share over all comments about this programme. \*

Score / 0 pts

Great

15. Do you suggest this programme to your juniors? \*

Score / 0 pts

Yes

No

S. S. H. K. Q. L.

## Review: Feedback Form | CATIA | III Year | Value Added Course

Respondent

3 K.VISHNUVARDHAN

03:27

Time to complete

1. The objectives of the training were clearly defined by the Co-ordinator \* Score / 0 pts  
★ ★ ★ ★
2. Participation and interaction were encouraged. \* Score / 0 pts  
★ ★ ★ ☆
3. The topics covered were relevant to me. \* Score / 0 pts  
★ ★ ★ ★
4. The content was organized and easy to follow. \* Score / 0 pts  
★ ★ ★ ☆
5. This training experience will be useful me. \* Score / 0 pts  
★ ★ ★ ★
6. The trainer was knowledgeable about the training topics. \* Score / 0 pts  
★ ★ ★ ★
7. The trainer was well prepared. \* Score / 0 pts  
★ ★ ★ ★
8. The training objectives were met. \* Score / 0 pts  
★ ★ ★ ★
9. The time allotted for the training was sufficient \* Score / 0 pts  
★ ★ ★ ★

10. CAD Lab were adequate and comfortable. \*

Score / 0 pts



Your view about this programme

11. What did you like most about this training? \*

Score / 0 pts

Everything

12. What aspects of the training could be improved? \*

Score / 0 pts

CAD lab should be improved

13. How do you hope to change your practice as a result of this training? \*

Score / 0 pts

Daily practice

14. Please share over all comments about this programme. \*

Score / 0 pts

Trainer, value added course and way of teaching was good

15. Do you suggest this programme to your juniors? \*

Score / 0 pts

Yes

No

N.R.

*[Handwritten signature]*

## Review: Feedback Form | CATIA | III Year | Value Added Course

Respondent

4

YOGESHWARAN.K.M

03:01

Time to complete

1. The objectives of the training were clearly defined by the Co-ordinator \*

Score / 0 pts



2. Participation and interaction were encouraged. \*

Score / 0 pts



3. The topics covered were relevant to me. \*

Score / 0 pts



4. The content was organized and easy to follow. \*

Score / 0 pts



5. This training experience will be useful me. \*

Score / 0 pts



6. The trainer was knowledgeable about the training topics. \*

Score / 0 pts



7. The trainer was well prepared. \*

Score / 0 pts



8. The training objectives were met. \*

Score / 0 pts



9. The time allotted for the training was sufficient \*

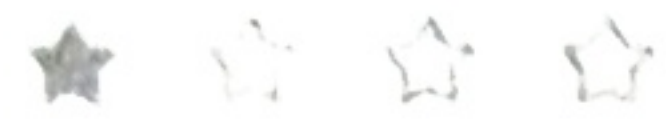
Score / 0 pts





10. CAD Lab were adequate and comfortable. \*

Score / 0 pts



Your view about this programme

11. What did you like most about this training? \*

Score / 0 pts

3d designing model

12. What aspects of the training could be improved? \*

Score / 0 pts

Everything is okay

13. How do you hope to change your practice as a result of this training? \*

Score / 0 pts

I train this everyday at home

14. Please share over all comments about this programme. \*

Score / 0 pts

Fantabulous

15. Do you suggest this programme to your juniors? \*

Score / 0 pts

Yes

No

*N.R. J.*

*S. Jyoti Gyn*

### Feedback Form | CATIA | III Year | Value Added Course

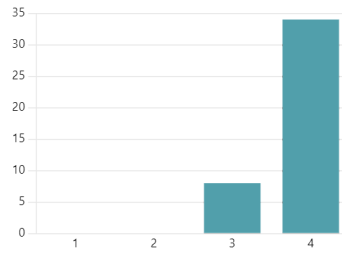
**42**  
Responses

**05:26**  
Average time to complete

**Active**  
Status

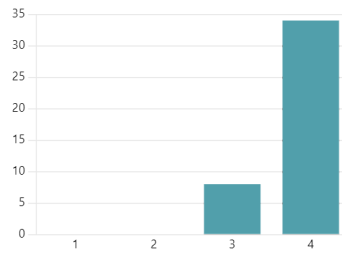
1. The objectives of the training were clearly defined by the Co-ordinator (0 point)

**3.81**  
Average Rating



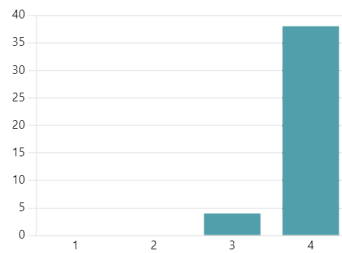
2. Participation and interaction were encouraged. (0 point)

**3.81**  
Average Rating



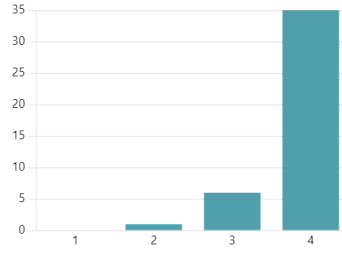
3. The topics covered were relevant to me. (0 point)

**3.90**  
Average Rating



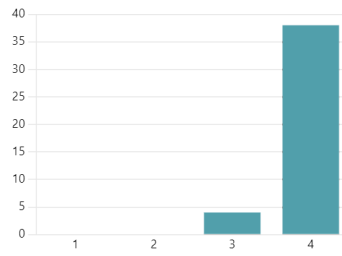
4. The content was organized and easy to follow. (0 point)

**3.81**  
Average Rating



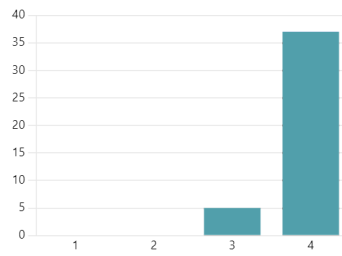
5. This training experience will be useful me. (0 point)

**3.90**  
Average Rating



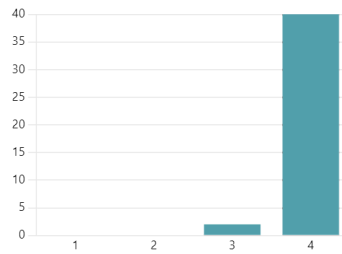
6. The trainer was knowledgeable about the training topics. (0 point)

**3.88**  
Average Rating



7. The trainer was well prepared. (0 point)

**3.95**  
Average Rating





12. What aspects of the training could be improved? (0 point)

42 Responses

Latest Responses

"Good"

The training should improve the time period of training I mean increase th

"No need"

Update

8 respondents (21%) answered training for this question



13. How do you hope to change your practice as a result of this training? (0 point)

41 Responses

Latest Responses

"Good"

"I would able to do basic design..."

Update

10 respondents (26%) answered practice for this question



14. Please share over all comments about this programme. (0 point)

42 Responses

Latest Responses

"Good"

"It s good and aswell use full to interview sector..."

"Training session is useful"

Update

14 respondents (36%) answered good for this question



15. Do you suggest this programme to your juniors (0 point)

- Yes 42
- No 0



4/2/4/2  
 Students are given possible response for this course  
 N.R.

S. J. Thank you