



No: 2 | 11th Main Rd | G1 Es El En Manasarover, Vijayanagar,

Velachery Main Road, Chennai- 600042

Enter as Trainees....
Exit as Professionals

Date: 07.08.2023

Title of the Program : Value Added Course on "CATIA"
Date: 31.07.2023 to 05.08.2023
Participants : III year (2021 – 2025 Batch)
Academic Year: 2023 - 2024
Venue : Kamaraj College of Engineering and Technology, Virudhunagar

Mark sheet

S.No	Roll Number	Name	Part Diagram	Assembly Diagram	Drawing Mode	Team Work	Total out of 100
			40 Mark	30 Marks	20 Marks	10 Marks	
1	21UME001	MURALI KRISHNAN.R	35	23	18	10	86
2	21UME002	JEGADEESH.M	25	10	12	10	57
3	21UME003	SAKTHIVEL.M	38	30	20	10	98
4	21UME004	GOKULRAJ.K	33	20	17	8	78
5	21UME005	VISHNUVARDHAN.K	35	20	20	10	85
6	21UME006	VEERANDRA SEVAK.P	30	15	15	10	70
7	21UME007	DHANUSH KUMAR.A	35	25	17	10	87
8	21UME008	MADHAV VENKATESH.J	33	20	18	10	81
9	21UME009	SIVA BALAN.K	30	20	18	10	78
10	21UME010	CHANDRU.V	30	18	17	10	75
11	21UME011	HARIHARAN.N	36	27	19	10	92
12	21UME012	MITHUN.S	30	15	10	10	65
13	21UME013	KIRAN.S	30	15	10	10	65
14	21UME014	ALWYN JOSHUA.J	30	15	15	10	70
15	21UME015	KANNAN.M	35	25	17	10	87
16	21UME016	KIRUBAKARAN.S	30	15	15	10	70
17	21UME017	ASRAFMOHAMED.A	20	15	18	10	63
18	21UME018	DEEPAK KUMAR.C	28	20	15	10	73
19	21UME019	KAVIYARASAN.M	35	30	15	10	90
20	21UME020	THIRUMURUGAN.P	30	20	15	10	75
21	21UME021	RAMAR.A	30	18	15	10	73
22	21UME022	MUTHAMIL ARASAN.M	-	-	-	-	Absent
23	21UME023	NAGENDRA KUMAR.B	30	20	16	10	76
24	21UME024	MOHAMMED ASHIF.N	30	15	15	10	70
25	21UME025	SIVA SETHU RAJAN.B	30	15	15	7	67
26	21UME026	KAUSIK.O.B	30	15	10	10	65

T. J. 7/8/23



No: 2 | 11th Main Rd | G1 Es El En Manasarover, Vijayanagar,
Velachery Main Road, Chennai- 600042

Enter as Trainees....
Exit as Professionals

27	21UME027	RAMACHANDRAN.S	30	25	18	10	83
28	21UME028	SHAFIQ AHAMED.K	30	15	10	10	65
29	21UME029	ALITIA B ALMEDA	30	25	20	10	85
30	21UME030	KARAN.V	30	25	17	10	82
31	21UME031	KALIRAJ.A	28	20	15	10	73
32	21UME032	ARAVIND KUMAR.M	30	20	20	10	80
33	21UME033	KISHORE.S	35	15	20	10	80
34	21UME034	SRIVASAN.G.R	40	30	20	10	100
35	21UME035	YOGESHWARAN.K.M	40	25	20	10	95
36	21UME036	NIJO PRASAD	30	20	20	7	77
37	21UME037	THIRU KUMARAN.S	40	30	20	10	100
38	21UME038	VIGNESHKUMAR.P	32	23	17	10	82
39	21UME039	ANAND.G	35	25	18	10	88
40	21UME040	SAKTHIVEL.V	33	20	18	10	81
41	21UME041	DINESH KARTHICK.M	20	15	15	6	56
42	21UME042	BALAGURU.A	30	30	18	10	88
43	21UME043	PRAGATHISWARAN.V	30	20	10	10	70

T. J. 17/8/23
COURSE COORDINATOR



INVENTATEQ TRAINING INSTITUTE

(Enter as Trainees... Exit as Professionals)

Velachery – Chennai – 600 042

CERTIFICATE

Certificate No:901

This is to certify that

MURALI KRISHNAN.R

Miss/Mr.

Kamaraj College of Engineering and Technology, Virudhunagar

Has successfully completed the training program titled

CATIA

PARAMETRIC DESIGN USING CATIA for PART DESIGN, ASSEMBLY DESIGN and DRAFTING WORKBENCH

CONDUCTED BY: INVENTATEQ TRAINING INSTITUTE from 31.07.2023 to 05.08.2023

Date: 07.08.2023



T.J.F.

COURSE COORDINATOR

K. Anilkumar

CENTRE HEAD



INVENTATEQ TRAINING INSTITUTE

(Enter as Trainees... Exit as Professionals)

Velachery – Chennai – 600 042

CERTIFICATE

Certificate No:902

This is to certify that

JEGATHEESH M

Miss/Mr.....

Kamaraj College of Engineering and Technology, Virudhunagar

Has successfully completed the training program titled

CATIA

PARAMETRIC DESIGN USING CATIA for PART DESIGN, ASSEMBLY DESIGN and DRAFTING WORKBENCH

CONDUCTED BY: INVENTATEQ TRAINING INSTITUTE from 31.07.2023 to 05.08.2023

Date: 07.08.2023



T. J. F.

COURSE COORDINATOR

K Anilkumar

CENTRE HEAD



INVENTATEQ TRAINING INSTITUTE

(Enter as Trainees... Exit as Professionals)

Velachery - Chennai - 600 042

CERTIFICATE

Certificate No:903

This is to certify that

SAKTHIVEL.M

Miss/Mr.....

Kamaraj College of Engineering and Technology, Virudhunagar

Has successfully completed the training program titled

CATIA

PARAMETRIC DESIGN USING CATIA for PART DESIGN, ASSEMBLY DESIGN and DRAFTING WORKBENCH

CONDUCTED BY: INVENTATEQ TRAINING INSTITUTE from 31.07.2023 to 05.08.2023

Date: 07.08.2023



T-J-F.

COURSE COORDINATOR

K Anilkumar

CENTRE HEAD



INVENTATEQ TRAINING INSTITUTE

(Enter as Trainees... Exit as Professionals)

Velachery - Chennai - 600 042

CERTIFICATE

Certificate No:904

This is to certify that

GOKULRAJ.K

Miss/Mr.

Kamaraj College of Engineering and Technology, Virudhunagar

Has successfully completed the training program titled

CATIA

PARAMETRIC DESIGN USING CATIA for PART DESIGN, ASSEMBLY DESIGN and DRAFTING WORKBENCH

CONDUCTED BY: INVENTATEQ TRAINING INSTITUTE from 31.07.2023 to 05.08.2023

Date: 07.08.2023



T. J. J.

COURSE COORDINATOR

K Anilkumar

CENTRE HEAD



INVENTATEQ TRAINING INSTITUTE

(Enter as Trainees... Exit as Professionals)

Velachery – Chennai – 600 042

CERTIFICATE

Certificate No:905

This is to certify that

VISHNU VARDHAN.K

Miss/Mr.-----

Kamaraj College of Engineering and Technology, Virudhunagar

Has successfully completed the training program titled

CATIA

PARAMETRIC DESIGN USING CATIA for PART DESIGN, ASSEMBLY DESIGN and DRAFTING WORKBENCH

CONDUCTED BY: INVENTATEQ TRAINING INSTITUTE from 31.07.2023 to 05.08.2023

Date: 07.08.2023



T. J. F.

COURSE COORDINATOR

K Anilkumar

CENTRE HEAD



INVENTATEQ TRAINING INSTITUTE

(Enter as Trainees... Exit as Professionals)

Velachery – Chennai – 600 042

CERTIFICATE

Certificate No:906

This is to certify that

VEERENDRA SEVAK.P

Miss/Mr.

Kamaraj College of Engineering and Technology, Virudhunagar

Has successfully completed the training program titled

CATIA

PARAMETRIC DESIGN USING CATIA for PART DESIGN, ASSEMBLY DESIGN and DRAFTING WORKBENCH

CONDUCTED BY: INVENTATEQ TRAINING INSTITUTE from 31.07.2023 to 05.08.2023

Date: 07.08.2023



T.J.F.

COURSE COORDINATOR

K. Anilkumar

CENTRE HEAD



INVENTATEQ TRAINING INSTITUTE

(Enter as Trainees... Exit as Professionals)

Velachery -- Chennai -- 600 042

CERTIFICATE

Certificate No:907

This is to certify that

DHANUSH KUMAR.A

Miss/Mr.-----

Kamaraj College of Engineering and Technology, Virudhunagar

Has successfully completed the training program titled

CATIA

PARAMETRIC DESIGN USING CATIA for PART DESIGN, ASSEMBLY DESIGN and DRAFTING WORKBENCH

CONDUCTED BY: INVENTATEQ TRAINING INSTITUTE from 31.07.2023 to 05.08.2023

Date: 07.08.2023



T. J. F.

COURSE COORDINATOR

K Anilkumar

CENTRE HEAD



INVENTATEQ TRAINING INSTITUTE

(Enter as Trainees... Exit as Professionals)

Velachery – Chennai – 600 042

CERTIFICATE

Certificate No:908

This is to certify that

MADHAV VENKATESH.J

Miss/Mr.-----

Kamaraj College of Engineering and Technology, Virudhunagar

Has successfully completed the training program titled

CATIA

PARAMETRIC DESIGN USING CATIA for PART DESIGN, ASSEMBLY DESIGN and DRAFTING WORKBENCH

CONDUCTED BY: INVENTATEQ TRAINING INSTITUTE from 31.07.2023 to 05.08.2023

Date: 07.08.2023



T-J-F.

COURSE COORDINATOR

K. Anilkumar

CENTRE HEAD



INVENTATEQ TRAINING INSTITUTE

(Enter as Trainees... Exit as Professionals)

Velachery - Chennai - 600 042

CERTIFICATE

Certificate No:909

This is to certify that

SIVA BALAN.K

Miss/Mr.....

Kamaraj College of Engineering and Technology, Virudhunagar

Has successfully completed the training program titled

CATIA

PARAMETRIC DESIGN USING CATIA for PART DESIGN, ASSEMBLY DESIGN and DRAFTING WORKBENCH

CONDUCTED BY: INVENTATEQ TRAINING INSTITUTE from 31.07.2023 to 05.08.2023

Date: 07.08.2023



T. J. J.

COURSE COORDINATOR

K. Anilkumar

CENTRE HEAD



INVENTATEQ TRAINING INSTITUTE

(Enter as Trainees... Exit as Professionals)

Velachery - Chennai - 600 042

CERTIFICATE

Certificate No:910

This is to certify that

CHANDRU.V

Miss/Mr.....

Kamaraj College of Engineering and Technology, Virudhunagar

Has successfully completed the training program titled

CATIA

PARAMETRIC DESIGN USING CATIA for PART DESIGN, ASSEMBLY DESIGN and DRAFTING WORKBENCH

CONDUCTED BY: INVENTATEQ TRAINING INSTITUTE from 31.07.2023 to 05.08.2023

Date: 07.08.2023



T-J-F.

COURSE COORDINATOR

K Anilkumar

CENTRE HEAD



INVENTATEQ TRAINING INSTITUTE

(Enter as Trainees... Exit as Professionals)

Velachery - Chennai - 600 042

CERTIFICATE

Certificate No:911

This is to certify that

HARIHARAN.N

Miss/Mr.....

Kamaraj College of Engineering and Technology, Virudhunagar

Has successfully completed the training program titled

CATIA

PARAMETRIC DESIGN USING CATIA for PART DESIGN, ASSEMBLY DESIGN and DRAFTING WORKBENCH

CONDUCTED BY: INVENTATEQ TRAINING INSTITUTE from 31.07.2023 to 05.08.2023

Date: 07.08.2023



T. J. F.

COURSE COORDINATOR

K Anilkumar

CENTRE HEAD



INVENTATEQ TRAINING INSTITUTE

(Enter as Trainees... Exit as Professionals)

Velachery - Chennai - 600 042

CERTIFICATE

Certificate No:912

This is to certify that

MITHUN.S

Miss/Mr.

Kamaraj College of Engineering and Technology, Virudhunagar

Has successfully completed the training program titled

CATIA

PARAMETRIC DESIGN USING CATIA for PART DESIGN, ASSEMBLY DESIGN and DRAFTING WORKBENCH

CONDUCTED BY: INVENTATEQ TRAINING INSTITUTE from 31.07.2023 to 05.08.2023

Date: 07.08.2023



T-j-7.

COURSE COORDINATOR

K Anil Kumar

CENTRE HEAD



INVENTATEQ TRAINING INSTITUTE

(Enter as Trainees... Exit as Professionals)

Velachery - Chennai - 600 042

CERTIFICATE

Certificate No:913

This is to certify that

KIRAN.S

Miss/Mr.

Kamraj College of Engineering and Technology, Virudhunagar

Has successfully completed the training program titled

CATIA

PARAMETRIC DESIGN USING CATIA for PART DESIGN, ASSEMBLY DESIGN and DRAFTING WORKBENCH

CONDUCTED BY: INVENTATEQ TRAINING INSTITUTE from 31.07.2023 to 05.08.2023

Date: 07.08.2023



T. J. J.

COURSE COORDINATOR

K. Anilkumar

CENTRE HEAD



INVENTATEQ TRAINING INSTITUTE

(Enter as Trainees... Exit as Professionals)

Velachery – Chennai – 600 042

CERTIFICATE

Certificate No:914

This is to certify that

ALWYN JOSHUA.J

Miss/Mr.-----
Kamaraj College of Engineering and Technology, Virudhunagar

Has successfully completed the training program titled

CATIA

PARAMETRIC DESIGN USING CATIA for PART DESIGN, ASSEMBLY DESIGN and DRAFTING WORKBENCH

CONDUCTED BY: INVENTATEQ TRAINING INSTITUTE from 31.07.2023 to 05.08.2023

Date: 07.08.2023



T. J. J.

COURSE COORDINATOR

K. Anilkumar

CENTRE HEAD



INVENTATEQ TRAINING INSTITUTE

(Enter as Trainees... Exit as Professionals)

Velachery - Chennai - 600 042

CERTIFICATE

Certificate No:915

This is to certify that

KANNAN.M

Miss/Mr.

Kamaraj College of Engineering and Technology, Virudhunagar

Has successfully completed the training program titled

CATIA

PARAMETRIC DESIGN USING CATIA for PART DESIGN, ASSEMBLY DESIGN and DRAFTING WORKBENCH

CONDUCTED BY: INVENTATEQ TRAINING INSTITUTE from 31.07.2023 to 05.08.2023

Date: 07.08.2023



T. J. F.

COURSE COORDINATOR

K. Anilkumar

CENTRE HEAD



INVENTATEQ TRAINING INSTITUTE
(Enter as Trainees... Exit as Professionals)
Velachery - Chennai - 600 042

CERTIFICATE

Certificate No:916

This is to certify that

KIRUBAKARAN.S

Miss/Mr.

Kamaraj College of Engineering and Technology, Virudhunagar

Has successfully completed the training program titled

CATIA

PARAMETRIC DESIGN USING CATIA for PART DESIGN, ASSEMBLY DESIGN and DRAFTING WORKBENCH

CONDUCTED BY: INVENTATEQ TRAINING INSTITUTE from 31.07.2023 to 05.08.2023

Date: 07.08.2023



T. J. F.

COURSE COORDINATOR

K. Anilkumar

CENTRE HEAD



INVENTATEQ TRAINING INSTITUTE

(Enter as Trainees - Exit as Professionals)

Velachery - Chennai - 600 042

CERTIFICATE

Certificate No:917

This is to certify that

ASRAF MOHAMED.A

Miss/Mr.

Kamaraj College of Engineering and Technology, Virudhunagar

Has successfully completed the training program titled

CATIA

PARAMETRIC DESIGN USING CATIA for PART DESIGN, ASSEMBLY DESIGN and DRAFTING WORKBENCH

CONDUCTED BY: INVENTATEQ TRAINING INSTITUTE from 31.07.2023 to 05.08.2023

Date: 07.08.2023



T. J. F.

COURSE COORDINATOR

K. Anil Kumar

CENTRE HEAD



INVENTATEQ TRAINING INSTITUTE

(Enter as Trainees... Exit as Professionals)

Velachery – Chennai – 600 042

CERTIFICATE

Certificate No:918

This is to certify that

DEEPAK KUMAR.C

Miss/Mr.-----

Kamaraj College of Engineering and Technology, Virudhunagar

Has successfully completed the training program titled

CATIA

PARAMETRIC DESIGN USING CATIA for PART DESIGN, ASSEMBLY DESIGN and DRAFTING WORKBENCH

CONDUCTED BY: INVENTATEQ TRAINING INSTITUTE from 31.07.2023 to 05.08.2023

Date: 07.08.2023



T.J.F.

COURSE COORDINATOR

K. Anilkumar

CENTRE HEAD



INVENTATEQ TRAINING INSTITUTE

(Enter as Trainees... Exit as Professionals)

Velachery - Chennai - 600 042

CERTIFICATE

Certificate No:919

This is to certify that

KAVIYARASAN.M

Miss/Mr.

Kamaraj College of Engineering and Technology, Virudhunagar

Has successfully completed the training program titled

CATIA

PARAMETRIC DESIGN USING CATIA for PART DESIGN, ASSEMBLY DESIGN and DRAFTING WORKBENCH

CONDUCTED BY: INVENTATEQ TRAINING INSTITUTE from 31.07.2023 to 05.08.2023

Date: 07.08.2023



T. J. F.

COURSE COORDINATOR

K. Anilkumar

CENTRE HEAD



INVENTATEQ TRAINING INSTITUTE

(Enter as Trainees... Exit as Professionals)

Velachery -- Chennai -- 600 042

CERTIFICATE

Certificate No:920

This is to certify that

THIRUMURUGAN.P

Miss/Mr.....

Kamaraj College of Engineering and Technology, Virudhunagar

Has successfully completed the training program titled

CATIA

PARAMETRIC DESIGN USING CATIA for PART DESIGN, ASSEMBLY DESIGN and DRAFTING WORKBENCH

CONDUCTED BY: INVENTATEQ TRAINING INSTITUTE from 31.07.2023 to 05.08.2023

Date: **07.08.2023**



T. J. F.

COURSE COORDINATOR

K. Anilkumar

CENTRE HEAD



INVENTATEQ TRAINING INSTITUTE

(Enter as Trainees... Exit as Professionals)

Velachery - Chennai - 600 042

CERTIFICATE

Certificate No:921

This is to certify that

RAMAR.A

Miss/Mr.....

Kamaraj College of Engineering and Technology, Virudhunagar

Has successfully completed the training program titled

CATIA

PARAMETRIC DESIGN USING CATIA for PART DESIGN, ASSEMBLY DESIGN and DRAFTING WORKBENCH

CONDUCTED BY: INVENTATEQ TRAINING INSTITUTE from 31.07.2023 to 05.08.2023

Date: 07.08.2023



T. J. F.

COURSE COORDINATOR

K. Anilkumar

CENTRE HEAD



INVENTATEQ TRAINING INSTITUTE

(Enter as Trainees... Exit as Professionals)

Velachery - Chennai - 600 042

CERTIFICATE

Certificate No:922

This is to certify that

NAGENDRA KUMAR.B

Miss/Mr.....

Kamaraj College of Engineering and Technology, Virudhunagar

Has successfully completed the training program titled

CATIA

PARAMETRIC DESIGN USING CATIA for PART DESIGN, ASSEMBLY DESIGN and DRAFTING WORKBENCH

CONDUCTED BY: INVENTATEQ TRAINING INSTITUTE from 31.07.2023 to 05.08.2023

Date: 07.08.2023



T-J-A

COURSE COORDINATOR

K Anilkumar

CENTRE HEAD



INVENTATEQ TRAINING INSTITUTE

(Enter as Trainees... Exit as Professionals)

Velachery – Chennai – 600 042

CERTIFICATE

Certificate No:923

This is to certify that

MOHAMMED ASHIF.N

Miss/Mr.....

Kamaraj College of Engineering and Technology, Virudhunagar

Has successfully completed the training program titled

CATIA

PARAMETRIC DESIGN USING CATIA for PART DESIGN, ASSEMBLY DESIGN and DRAFTING WORKBENCH

CONDUCTED BY: INVENTATEQ TRAINING INSTITUTE from 31.07.2023 to 05.08.2023

Date: 07.08.2023



T. J. F.

COURSE COORDINATOR

K Anilkumar

CENTRE HEAD



INVENTATEQ TRAINING INSTITUTE

(Enter as Trainees... Exit as Professionals)

Velachery - Chennai - 600 042

CERTIFICATE

Certificate No:924

This is to certify that

SIVA SETHU RAJAN.B

Miss/Mr.

Kamaraj College of Engineering and Technology, Virudhunagar

Has successfully completed the training program titled

CATIA

PARAMETRIC DESIGN USING CATIA for PART DESIGN, ASSEMBLY DESIGN and DRAFTING WORKBENCH

CONDUCTED BY: INVENTATEQ TRAINING INSTITUTE from 31.07.2023 to 05.08.2023

Date: 07.08.2023



T. J. J.

COURSE COORDINATOR

K Anilkumar

CENTRE HEAD



INVENTATEQ TRAINING INSTITUTE

(Enter as Trainees... Exit as Professionals)

Velachery – Chennai – 600 042

CERTIFICATE

Certificate No:925

This is to certify that

KAUSIK.O.B

Miss/Mr.....

Kamaraj College of Engineering and Technology, Virudhunagar

Has successfully completed the training program titled

CATIA

PARAMETRIC DESIGN USING CATIA for PART DESIGN, ASSEMBLY DESIGN and DRAFTING WORKBENCH

CONDUCTED BY: INVENTATEQ TRAINING INSTITUTE from 31.07.2023 to 05.08.2023

Date: 07.08.2023



T. J. J.

COURSE COORDINATOR

K. Anilkumar

CENTRE HEAD



INVENTATEQ TRAINING INSTITUTE
(Enter as Trainees... Exit as Professionals)
Velachery - Chennai - 600 042

CERTIFICATE

Certificate No:926

This is to certify that

RAMACHANDRAN.S

Miss/Mr.-----

Kamaraj College of Engineering and Technology, Virudhunagar

Has successfully completed the training program titled

CATIA

PARAMETRIC DESIGN USING CATIA for PART DESIGN, ASSEMBLY DESIGN and DRAFTING WORKBENCH

CONDUCTED BY: INVENTATEQ TRAINING INSTITUTE from 31.07.2023 to 05.08.2023

Date: 07.08.2023



T. J. F.

COURSE COORDINATOR

K Anilkumar

CENTRE HEAD



INVENTATEQ TRAINING INSTITUTE

(Enter as Trainees... Exit as Professionals)

Velachery – Chennai – 600 042

CERTIFICATE

Certificate No:927

This is to certify that

SHAFIQ AHAMED.K

Miss/Mr.....

Kamaraj College of Engineering and Technology, Virudhunagar

Has successfully completed the training program titled

CATIA

PARAMETRIC DESIGN USING CATIA for PART DESIGN, ASSEMBLY DESIGN and DRAFTING WORKBENCH

CONDUCTED BY: INVENTATEQ TRAINING INSTITUTE from 31.07.2023 to 05.08.2023

Date: 07.08.2023



T. J. F.

COURSE COORDINATOR

K. Anilkumar

CENTRE HEAD



INVENTATEQ TRAINING INSTITUTE

(Enter as Trainees... Exit as Professionals)

Velachery - Chennai - 600 042

CERTIFICATE

Certificate No:928

This is to certify that

ALITIA B ALMEDA

Miss/Mr.

Kamaraj College of Engineering and Technology, Virudhunagar

Has successfully completed the training program titled

CATIA

PARAMETRIC DESIGN USING CATIA for PART DESIGN, ASSEMBLY DESIGN and DRAFTING WORKBENCH

CONDUCTED BY: INVENTATEQ TRAINING INSTITUTE from 31.07.2023 to 05.08.2023

Date: 07.08.2023



T. J. F.

COURSE COORDINATOR

K Anilkumar

CENTRE HEAD



INVENTATEQ TRAINING INSTITUTE

(Enter as Trainees... Exit as Professionals)

Velachery – Chennai – 600 042

CERTIFICATE

Certificate No:929

This is to certify that

KARAN.V

Miss/Mr.

Kamaraj College of Engineering and Technology, Virudhunagar

Has successfully completed the training program titled

CATIA

PARAMETRIC DESIGN USING CATIA for PART DESIGN, ASSEMBLY DESIGN and DRAFTING WORKBENCH

CONDUCTED BY: INVENTATEQ TRAINING INSTITUTE from 31.07.2023 to 05.08.2023

Date: 07.08.2023



T. J. F.

COURSE COORDINATOR

K. Anilkumar

CENTRE HEAD



INVENTATEQ TRAINING INSTITUTE

(Enter as Trainees ... Exit as Professionals)

Velachery - Chennai - 600 042

CERTIFICATE

Certificate No:930

This is to certify that

KALIRAJ.A

Miss/Mr.

Kamaraj College of Engineering and Technology, Virudhunagar

Has successfully completed the training program titled

CATIA

PARAMETRIC DESIGN USING CATIA for PART DESIGN, ASSEMBLY DESIGN and DRAFTING WORKBENCH

CONDUCTED BY: INVENTATEQ TRAINING INSTITUTE from 31.07.2023 to 05.08.2023

Date: 07.08.2023



T. J. J.

COURSE COORDINATOR

K. Anilkumar

CENTRE HEAD



INVENTATEQ TRAINING INSTITUTE

(Enter as Trainees... Exit as Professionals)

Velachery - Chennai - 600 042

CERTIFICATE

Certificate No: 931

This is to certify that

ARAVIND KUMAR.M

Miss/Mr.

Kamaraj College of Engineering and Technology, Virudhunagar

Has successfully completed the training program titled

CATIA

PARAMETRIC DESIGN USING CATIA for PART DESIGN, ASSEMBLY DESIGN and DRAFTING WORKBENCH

CONDUCTED BY: INVENTATEQ TRAINING INSTITUTE from 31.07.2023 to 05.08.2023

Date: 07.08.2023



T.P.F.

COURSE COORDINATOR

K. Anil Kumar

CENTRE HEAD



INVENTATEQ TRAINING INSTITUTE

(Enter as Trainees... Exit as Professionals)

Velachery - Chennai - 600 042

CERTIFICATE

Certificate No:932

This is to certify that

KISHORE.S

Miss/Mr.

Kamaraj College of Engineering and Technology, Virudhunagar

Has successfully completed the training program titled

CATIA

PARAMETRIC DESIGN USING CATIA for PART DESIGN, ASSEMBLY DESIGN and DRAFTING WORKBENCH

CONDUCTED BY: INVENTATEQ TRAINING INSTITUTE from 31.07.2023 to 05.08.2023

Date: 07.08.2023



T-j-f.

COURSE COORDINATOR

K Anilkumar

CENTRE HEAD



INVENTATEQ TRAINING INSTITUTE

(Enter as Trainees - Exit as Professionals)

Vellore - Chennai - 600 042

CERTIFICATE

Certificate No:933

This is to certify that

SRIVASAN.G. R

Miss/Mr.

Kamaraj College of Engineering and Technology, Virudhunagar

Has successfully completed the training program titled

CATIA

PARAMETRIC DESIGN USING CATIA for PART DESIGN, ASSEMBLY DESIGN and DRAFTING WORKBENCH

CONDUCTED BY: INVENTATEQ TRAINING INSTITUTE from 31.07.2023 to 05.08.2023

Date: 07.08.2023



T. J. A.

COURSE COORDINATOR

K. Anitha Kumari

CENTRE HEAD



INVENTATEQ TRAINING INSTITUTE

(Enter as Trainees - Exit as Professionals)

Vellore - Chennai - 600 042

CERTIFICATE

Certificate No. 934

This is to certify that

YOGESHWARAN.K.M

Miss/Mr.

Kamaraj College of Engineering and Technology, Virudhunagar

Has successfully completed the training program titled

CATIA

PARAMETRIC DESIGN USING CATIA for PART DESIGN, ASSEMBLY DESIGN and DRAFTING WORKBENCH

CONDUCTED BY INVENTATEQ TRAINING INSTITUTE from 31.07.2023 to 05.08.2023

Date: 07.08.2023



T. J. J.

COURSE COORDINATOR

K. Anand Kumar

CENTRE HEAD



INVENTATEQ TRAINING INSTITUTE

(Enter as Trainees... Exit as Professionals)

Velachery - Chennai - 600 042

CERTIFICATE

Certificate No:935

This is to certify that

NIJO PRASAD

Miss/Mr.....

Kamaraj College of Engineering and Technology, Virudhunagar

Has successfully completed the training program titled

CATIA

PARAMETRIC DESIGN USING CATIA for PART DESIGN, ASSEMBLY DESIGN and DRAFTING WORKBENCH

CONDUCTED BY: INVENTATEQ TRAINING INSTITUTE from 31.07.2023 to 05.08.2023

Date: 07.08.2023



T. J. J.

COURSE COORDINATOR

K. Anilkumar

CENTRE HEAD



INVENTATEQ TRAINING INSTITUTE

(Enter as Trainees... Exit as Professionals)

Velachery - Chennai - 600 042

CERTIFICATE

Certificate No:936

This is to certify that

THIRU KUMARAN.S

Miss/Mr.-----

Kamaraj College of Engineering and Technology, Virudhunagar

Has successfully completed the training program titled

CATIA

PARAMETRIC DESIGN USING CATIA for PART DESIGN, ASSEMBLY DESIGN and DRAFTING WORKBENCH

CONDUCTED BY: INVENTATEQ TRAINING INSTITUTE from 31.07.2023 to 05.08.2023

Date: 07.08.2023



T.J.F.

COURSE COORDINATOR

K. Anilkumar

CENTRE HEAD



INVENTATEQ TRAINING INSTITUTE
(Enter as Trainees... Exit as Professionals)
Velachery – Chennai – 600 042

CERTIFICATE

Certificate No:937

This is to certify that

VIGNESHKUMAR.P

Miss/Mr.-----

Kamaraj College of Engineering and Technology, Virudhunagar

Has successfully completed the training program titled

CATIA

PARAMETRIC DESIGN USING CATIA for PART DESIGN, ASSEMBLY DESIGN and DRAFTING WORKBENCH

CONDUCTED BY: INVENTATEQ TRAINING INSTITUTE from 31.07.2023 to 05.08.2023

Date: 07.08.2023



T.J.F.

COURSE COORDINATOR

K. Anilkumar

CENTRE HEAD



INVENTATEQ TRAINING INSTITUTE

(Enter as Trainees... Exit as Professionals)

Velachery – Chennai – 600 042

CERTIFICATE

Certificate No:938

This is to certify that

ANAND.G

Miss/Mr.....

Kamaraj College of Engineering and Technology, Virudhunagar

Has successfully completed the training program titled

CATIA

PARAMETRIC DESIGN USING CATIA for PART DESIGN, ASSEMBLY DESIGN and DRAFTING WORKBENCH

CONDUCTED BY: INVENTATEQ TRAINING INSTITUTE from 31.07.2023 to 05.08.2023

Date: 07.08.2023



T. J. F.

COURSE COORDINATOR

K Anilkumar

CENTRE HEAD



INVENTATEQ TRAINING INSTITUTE

(Enter as Trainees... Exit as Professionals)

Velachery – Chennai – 600 042

CERTIFICATE

Certificate No:939

This is to certify that

SAKTHIVEL.V

Miss/Mr.....

Kamaraj College of Engineering and Technology, Virudhunagar

Has successfully completed the training program titled

CATIA

PARAMETRIC DESIGN USING CATIA for PART DESIGN, ASSEMBLY DESIGN and DRAFTING WORKBENCH

CONDUCTED BY: INVENTATEQ TRAINING INSTITUTE from 31.07.2023 to 05.08.2023

Date: 07.08.2023



T. J. J.

COURSE COORDINATOR

K. Anilkumar

CENTRE HEAD



INVENTATEQ TRAINING INSTITUTE

(Enter as Trainees... Exit as Professionals)

Velachery -- Chennai -- 600 042

CERTIFICATE

Certificate No: 940

This is to certify that

DINESH KARTHICK.M

Miss/Mr.....

Kamaraj College of Engineering and Technology, Virudhunagar

Has successfully completed the training program titled

CATIA

PARAMETRIC DESIGN USING CATIA for PART DESIGN, ASSEMBLY DESIGN and DRAFTING WORKBENCH

CONDUCTED BY: INVENTATEQ TRAINING INSTITUTE from 31.07.2023 to 05.08.2023

Date: 07.08.2023



T. J. J.

COURSE COORDINATOR

K. Anilkumar

CENTRE HEAD



INVENTATEQ TRAINING INSTITUTE
(Enter as Trainees, Exit as Professionals)
Velachery - Chennai - 600 042

CERTIFICATE

Certificate No:941

This is to certify that

BALAGURU.A

Miss/Mr.

Kamaraj College of Engineering and Technology, Virudhunagar

Has successfully completed the training program titled

CATIA

PARAMETRIC DESIGN USING CATIA for PART DESIGN, ASSEMBLY DESIGN and DRAFTING WORKBENCH

CONDUCTED BY: INVENTATEQ TRAINING INSTITUTE from 31.07.2023 to 05.08.2023

Date: 07.08.2023



T. J. J.

COURSE COORDINATOR

K. Anilkumar

CENTRE HEAD



INVENTATEQ TRAINING INSTITUTE
(Enter as Trainees... Exit as Professionals)
Velachery – Chennai – 600 042

CERTIFICATE

Certificate No:942

This is to certify that

PRAGATHISWARAN.V

Miss/Mr.....

Kamaraj College of Engineering and Technology, Virudhunagar

Has successfully completed the training program titled

CATIA

PARAMETRIC DESIGN USING CATIA for PART DESIGN, ASSEMBLY DESIGN and DRAFTING WORKBENCH

CONDUCTED BY: INVENTATEQ TRAINING INSTITUTE from 31.07.2023 to 05.08.2023

Date: 07.08.2023



T. J. A.

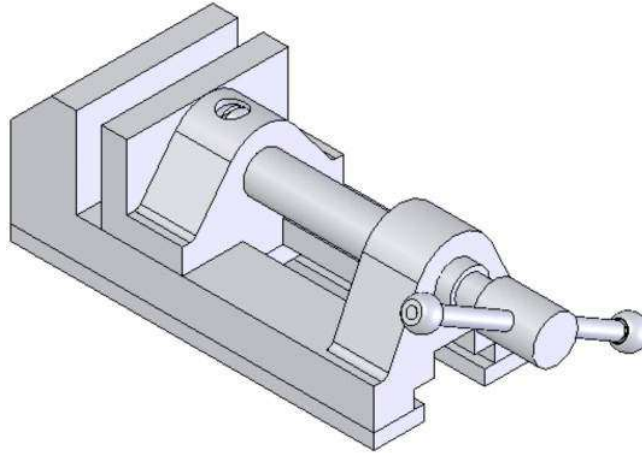
COURSE COORDINATOR

K. Anilkumar

CENTRE HEAD

Assignment 1

Bench vice Assembly



Isometric view

1. Base

