



(An Autonomous Institution - AFFILIATED TO ANNA UNIVERSITY, CHENNAI)
(Approved by AICTE, New Delhi)

Department of Mechanical Engineering

**Highlights of the Department for
Academic year 2023-2024**

HoD Message

The Department of Mechanical Engineering started the UG programme in 2005. Mechanical Engineering is witnessing remarkable growth and opportunities especially recent advancements in materials, automation, and AI integration. From 3D printing and smart materials to renewable energy systems, these trends are shaping the future of Mechanical Engineering and opening doors to innovative solutions across various industries. The Department has highly qualified and experienced faculty members in different fields of specialization. The Department is accredited by the NBA, New Delhi. We are dedicated in preparing students to harness the vast potential of Mechanical Engineering, contributing to a sustainable and technology-driven world. Together, we aspire to shape a brighter future with our collective expertise and passion.



Dr.S.Thanga Kasi Rajan
Associate Professor and HOD

DEPARTMENT PROFILE

Program of Study	Description
Under Graduate B.E Mechanical Engineering	Started with Approved intake of 30 seats in 2005 FILE NO.: 730-52-311(E)/ET/98 dated 09.06.2005
	Intake increased to 60 seats in 2009 FILE NO.: 730-52-311(E)/ET/98 dated 11.07.2009
	Intake increased to 120 seats in 2013 FILE NO.: Southern/1-1402872972/2013/EOA dated 19.03.2013
	Intake reduced to 60 seats in 16.06.2021 FILE NO : Southern/1-9321338833/2021/EOA dated 10.07.2021
	Intake reduced to 30 seats in 02.01.2023 _FILE NO : Southern/1-36452806855/2023/EOA dated 02.01.2023.
Research Programmes	Department is Recognized as Research center of Anna University FILE NO : 4959/IR/Mechanical/AR2 Dated : 02.12.2020

Department - Vision, Mission, PEO and PSO

Vision

To make Department of Mechanical Engineering the unique of its kind in the field of Research and Development activities in the prominent field of Mechanical Engineering in this part of the world.

Mission

To impart highly Innovative and Technical Knowledge in the field of Mechanical Engineering to the urban and unreachable rural student folks, through "Total Quality Education".

**B.E
(MECHANICAL
ENGINEERING)**

PEO

PEO1 Graduates of the Programme will excel in Technical Knowledge and Apply Innovative Skills in the field of Mechanical Engineering.

PEO2 Graduates will contribute to Technological Development and Research Activities through "Total Quality Education".

PEO3 Graduate of the Programme will accomplish Leadership Qualities and Social Responsibilities through "Life Long Learning".

PSO

PSO1:

Graduates will be able to create and analyze the Research and Development activities related to design and manufacturing.

PSO2:

Graduates will be able to design, develop need based products in Mechanical Engineering and allied Industries.

DEPARTMENT MECHANICAL ENGINEERING

Accredited by

National Board of Accreditation (NBA)

NEW DELHI

July 2023 – June 2026

July 2020 – June 2023

July 2017 – June 2020

Department of Mechanical Engineering

Achievements

MoUs Signed by Department of Mechanical Engineering



**MoU signed with SIEMENS
Centre of excellence in Manufacturing
at NIT Trichy**



**MoU signed with Alfa TKG
Integrated
Solutions India Pvt. Ltd., Chennai**

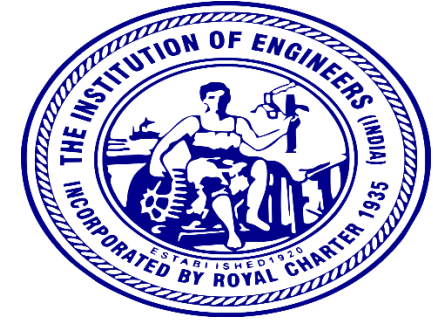


**MoU Signed with Sri Hari Tex
Industries. Madurai**

**Central Institute of Petrochemicals Engineering & Technology (CIPET), Madurai
has agreed to sign an MoU with KCET."**

FUNDED EVENTS

Anna university has sanctioned Rs. 35000/- for conducting Six Days Faculty Development Programme on “Additive Manufacturing”.
FDP held on 17.07.2023 – 22.07.2023



Institute of Engineers (IE)
Sanctioned the seminar grant of
Rs.50000/-

to

Dr.S.Thangakasirajan ASP &
HoD/Mech
&Dr.B.K.Parrthipan AP/Mech

for conducting two days seminar
for students on the topic
“Advancements in Electric
Vehicles.

Design Patent Granted

4 Design Patent Granted During the Academic Year 2023-2024



A Design patent titled “An Innovative Design in Luggage rack with foldable solar panel ” (408543-001/ Date 23/02/2024) was granted to Dr.S.Thangakasi Rajan ASP&HoD/Mech Dr.S.Senthil Prof/Mech Dr.B.K.Parrthipan AP/Mech

A Design patent titled “ Solar Electric Vehicle” (383166-001-/ Date 06/04/2023) was granted to Dr.S.Thangakasi Rajan ASP&HoD/Mech Dr.M.Prithiviraj AP/Mech Mr.D.Palanikumar Prof/Mech Mr.A.Sanakaranarayanamurthy AP/Mech

Design Patent Granted



A Design patent titled “An Innovative Design of Sustainable Table using Corporate Wastes” (413559-001/ Date : 15/04/2024) was granted to Dr.S.Thangakasirajan ASP&HoD/Mech Dr.S.Senthil Prof/Mech



A Design patent titled “Personal Protective Equipment for Pesticide Spraying” (414705-001 / Date 24/04/2024) was granted to Mr. R. Sakthivel Murugan AP/Mech Mr.N.R.Madhan AP/Mech

UTILITY PATENT PUBLISHED

3 Utility Patent Published During the Academic Year 2023-2024

Dr.S.Thangakasirajan ASP&HoD/Mech
Dr.B.Balavairavan AP/Mech
Dr.K.Muruganandam AP/Mech
Dr.B.K.Parrthipan AP/Mech
Published the

Utility patent titled “The Transformation of rubber waste into environmentally friendly self - adhesive rubber sticky putty” (202441027215 / CBR No 22566) on 12.04.2024.

Dr.B.Balavairavan AP/Mech
Dr.B.K.Parrthipan AP/Mech
Published the

Utility patent titled “Low cost Mobile Robot” (202441020632 / CBR No 18905) on 05.04.2024.

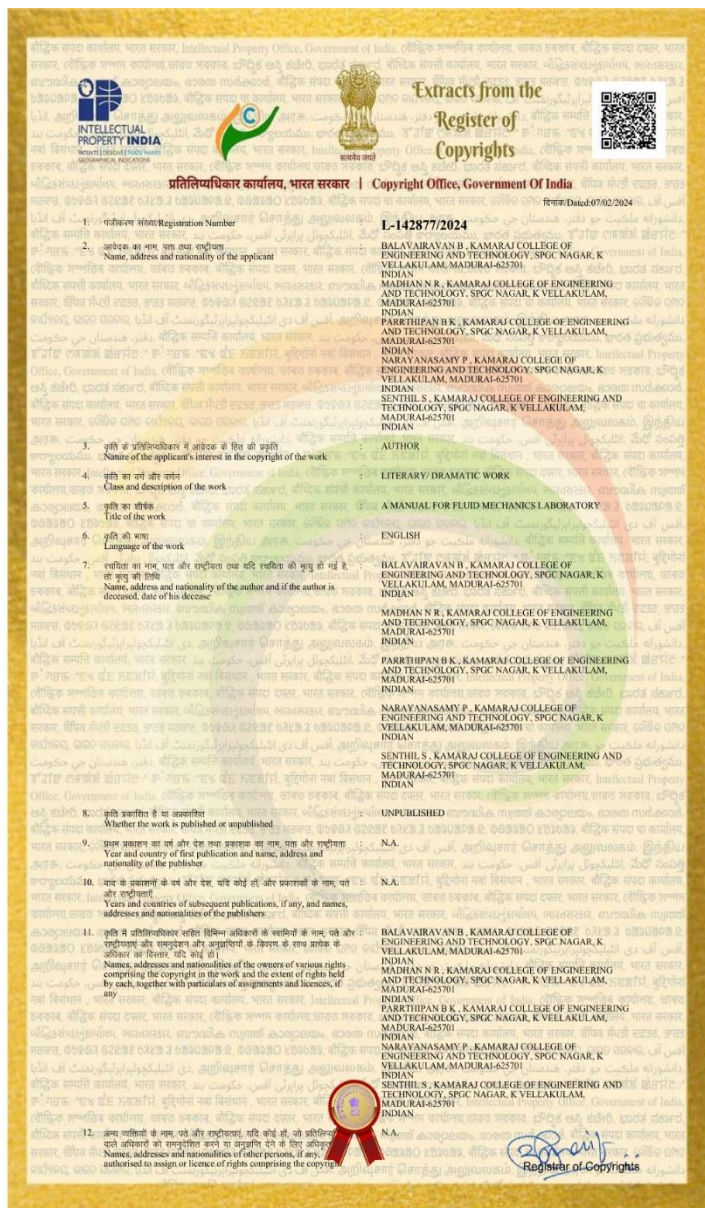
Dr.B.K.Parrthipan AP/Mech
Published the

Utility patent titled “An App for Country Egg Detector ” (202441025103 / CBR No 21428) on 05.04.2024



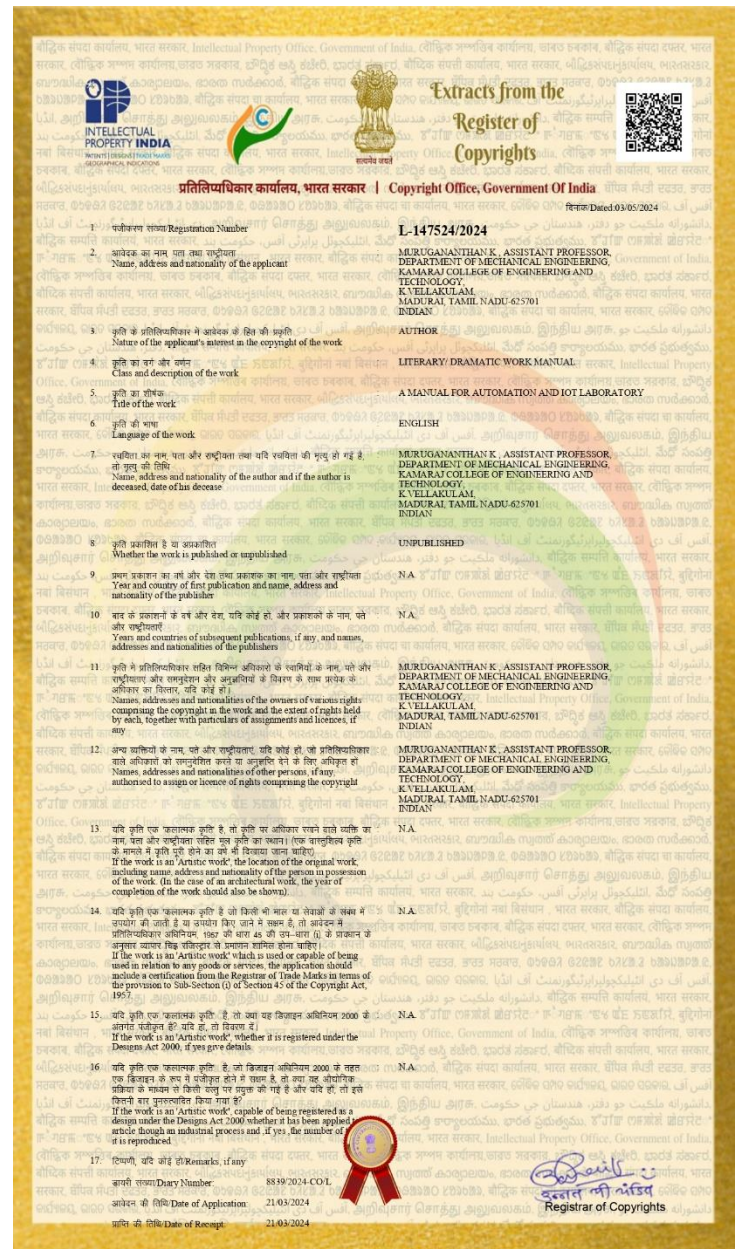
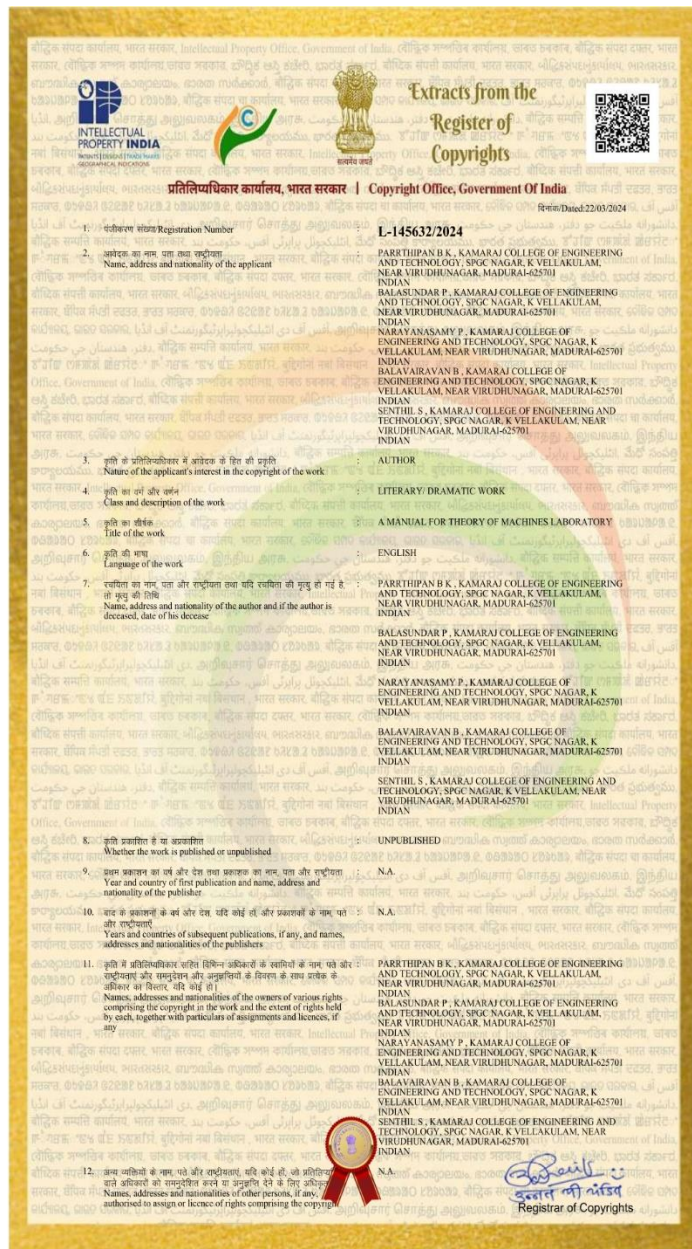
A Copy rights titled “ A Manual for Fluid Mechanics Laboratory”
(L-142877/2024 ,Dated 07/02/2024)
 was granted to
Dr. B.Balavairavan AP/Mech
Mr.N.R.Madhan AP/Mech
Dr.B.K.Parrthipan AP/Mech
Dr.P.Narayansamy ASP/Mech
Dr.S.Senthil Prof/Mech

A Copy rights titled “ A Manual for Strength of Materials Laboratory”
(L-142468/2024 Dated 30/01/2024)
 was granted to
Dr. B.Balavairavan AP/Mech
Mr.N.R.Madhan AP/Mech
Dr.B.K.Parrthipan AP/Mech
Dr.P.Narayansamy ASP/Mech
Dr.S.Senthil Prof/Mech



A Copy rights titled “ A Manual for Theory of Machines Laboratory” (L-145632/2024 ,Dated 22/03/2024) was granted to Dr.B.K.Parrthipan AP/Mech Dr.P.Narayansamy ASP/Mech Dr.B.Balavairavan AP/Mech Dr.S.Senthil Prof/Mech

A Copy rights titled “ A Manual for Automation and IoT Laboratory ” (L-147524/2024 Dated 03/05/2024) was granted to Dr. K.Muruganathan AP/Mech



FACULTY ACHIEVEMENTS



Dr. P.Narayanasamy
ASP/ Mech received
outstanding reviewer award
from IOP publication for the
year 2023



5 of our faculty members are listed in world scientist list released by AD scientific Index 2023



Dr.S.Senthil
Prof/Mech



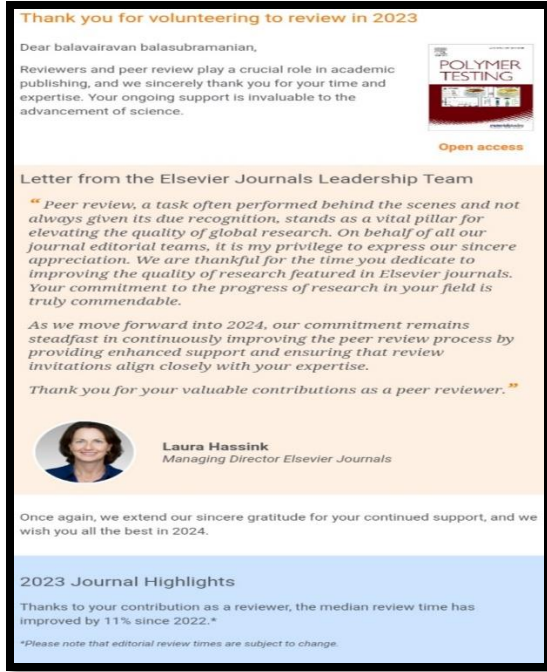
Dr.S.Thangakasi Rajan
ASP and HOD/Mech



Dr.P.Senthamarai kannan
AP /Mech



Dr.B.Balavairavan
AP/Mech Received
appreciation form journal of
polymer testing for
volunteering as a reviewer
in the Year 2023.

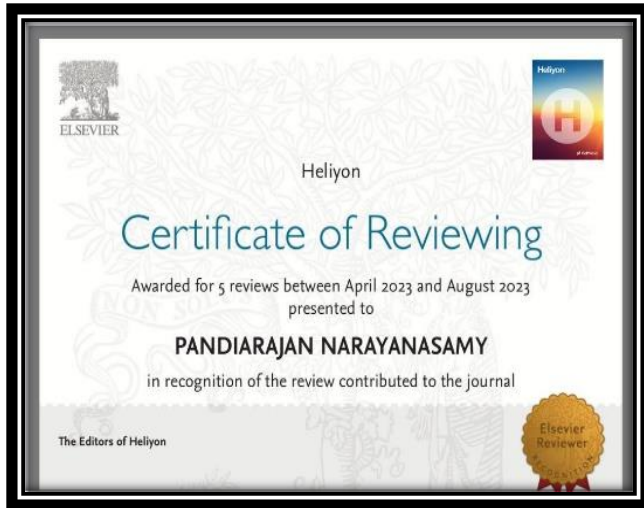


Dr.M.Prithiviraj
AP /Mech



Dr.K.Muruganandam
AP/Mech

FACULTY ACHIEVEMENTS

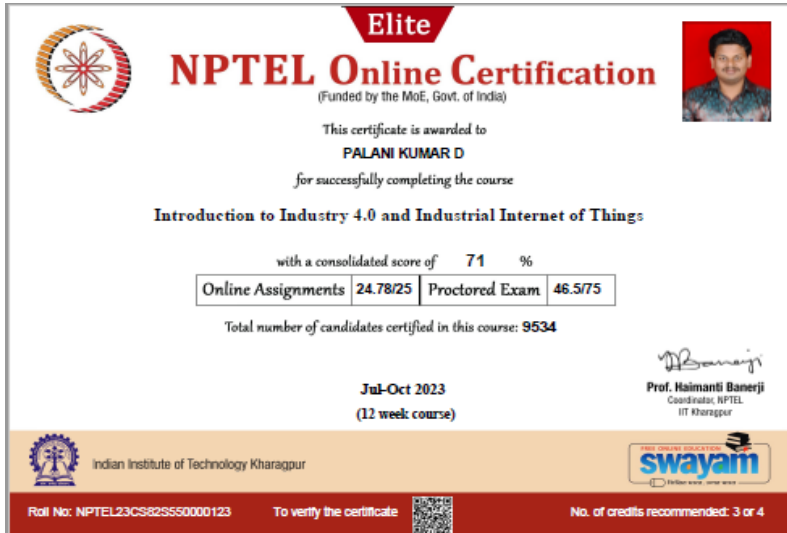


Dr. P.Narayanasamy, received Certificate of Reviewing for 5 review between Apr 2023 to Aug 2023 from Heliyon journal , Elsevier Publications.

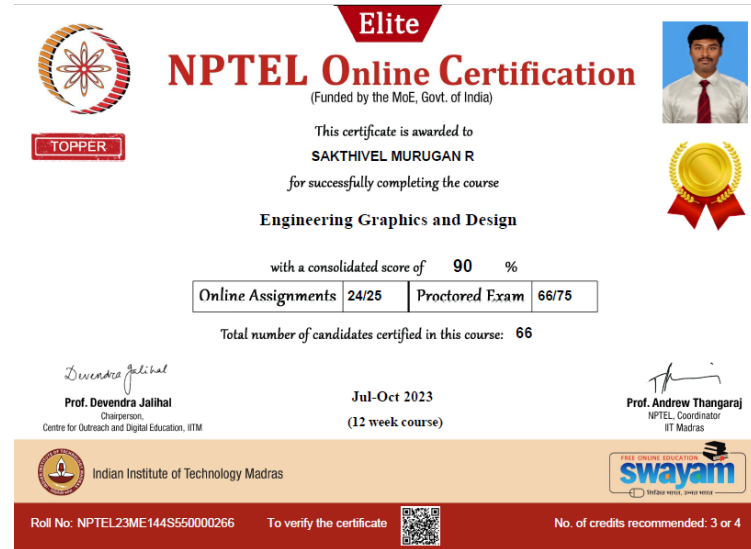
Mr.B.K.Parrthipan, received Certificate of Reviewing for 2 review between Apr 2023 to May 2023 from Journal “measurement” , Elsevier publications.

Mr. B. K. Parthipan has been elected as executive member by Institution of Engineers Madurai local chapter for two years from 2023 to 2025.

FACULTY ACHIEVEMENTS - NPTEL COURSES



Mr. D. Palani kumar AP/Mech has successfully completed the NPTEL course “Introduction to Industry 4.0 and Internet of things” with ELITE category.



Mr. R. Sakthivel Murugan AP/Mech has successfully completed the NPTEL course “Engineering Graphics and Design” with Gold and Topper category.



Mr. B. K. Parthipan, AP/ Mech successfully completed the NPTEL Course “Corporate Finance” with Elite Category. This course comes under AICTE approved FDP course.

INTERNATIONAL CONFERENCE IN FORGEIN UNIVERSITY

Dr.S.Muthu Natarajan AP/Mech , Dr.S.Senthil Prof/Mech and Dr. P.Narayanasamy ASP/Mech presented a paper titled "Enhancing mechanical properties of PLA filaments through orange peel powder reinforcement: Optimization of 3D printing parameters" in the International Conference on "Eco-friendly Fibers and Polymeric Materials (EFPM'24)" organised by " King Monkut's University of Technology, North Bangkok, Thailand " on 19.02.2024.



Dr.M.Prithiviraj AP/Mech, Mr.D.Palanikumar AP/Mech, Mr.A.Sanakaranarayanamurthy AP/Mech and Mr.S.Muthunatarajan AP/Mech presented a paper titled "Multi objective optimization for crashworthiness parameters of thin walled tubes with optimal alkali treated coir/polyester filled in axial quasi static loading using grey relation analysis and ANOVA" in the "International Conference on "Eco-friendly Fibers and Polymeric Materials (EFPM'24)" organized by "King Monkut's university of technology, North Bangkok, Thailand" on 20.02.2024.



FACULTY ACHIEVEMENTS – SEED MONEY GRAND

Dr.S.Thangakasi Kasi Rajan ASP &HoD /Mech received Faculty seed money grand of Rs.30000/- for the Project titled “Design and fabrication of two fold adjustable solar panel external attachment on the top of E-Vehicle for charging battery”.

Mr.R.Sakthivel Murugan AP/Mech and Mr.N.R.Madhan AP/Mech received Faculty seed money grand of Rs.20000/- for the Project titled “Design and Development of Effective low cost Engineering Graphics Teaching Models using 3D Printing”.

Dr.P.Narayanasamy ASP/Mech and Mr.B.K.Parrthipan AP/Mech received Faculty seed money grand of Rs.3500/- for the Project titled “An Innovative Design for smart projector using Raspberry Pi”.

SCHOLARS OF EMINENCE



Dr.A.Ganeshbabu

Public viva voce held at 27.10.2023

Supervisor

Dr. S.S.Saravanakumar

ASP /Mech, SSCE

Research Coordinator

Dr.B.Balavairavan

AP/Mech , KCET



Dr.B.K.Parrthipan

Public viva voce held at 19.06.2024

Supervisor Incharge

Dr.S.Senthil

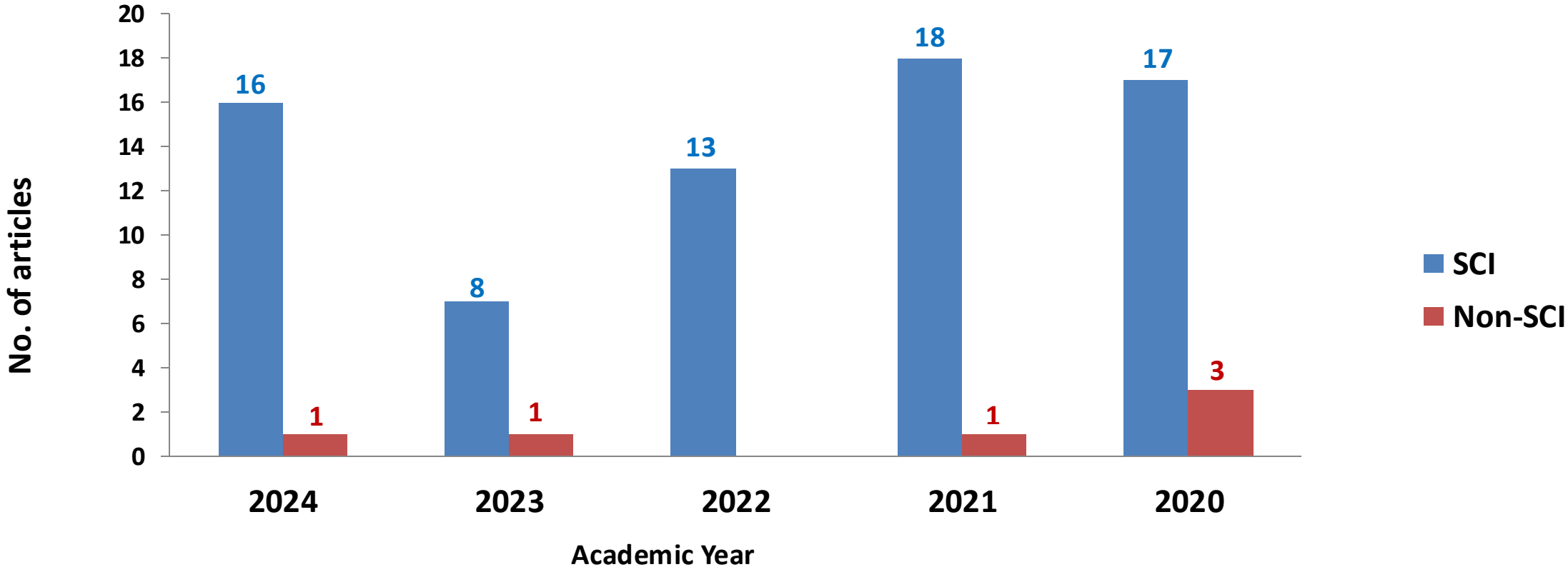
Prof/Mech , KCET

Supervisor

Dr.P.Narayanasamy

ASP/Mech , KCET

Faculty Research Publications



Department Citation

Faculty Citation as per Scopus*

S.NO	Name of the faculty	Total Citations	H Index
1	Dr.S.Thangakasirajan	118	7
2	Dr.S.Senthil	1928	11
3	Dr.P.Narayanasamy	1689	24
4	Dr.M.Prithviraj	322	7
5	Dr.B.Balavairavan	57	4
6	Dr.K.Muruganathan	188	3
8	Mr.B.K.Parrthipan	15	3
	Total	4317	59

Faculty Citation as per Google scholar*

S.NO	Name of the faculty	Total Citations	H Index	I 10 index
1	Dr.S.Thangakasirajan	134	7	5
2	Dr.S.Senthil	2330	11	11
3	Dr.P.Narayanasamy	2041	25	31
4	Dr.M.Prithviraj	370	7	7
5	Dr.B.Balavairavan	75	4	3
6	Dr.K.Muruganathan	228	3	2
7	Mr.B.K.Parrthipan	14	3	0
8	Mr.N.R.Madhan	2	1	0
9	Mr.R.Sakthivel murugan	35	1	1
	Total	5229	62	60

* as on 03.07.2024

FACULTY INTERACTIONS



Dr.S.Thangakasi rajan ASP&HoD/Mech
Visited the CIIC Executive Director
Prof. M. PARVEZ ALAM on 07.02.2024.



Dr.S.Thangakasi rajan ASP&HoD/Mech
Visited the IQAC Director Dr. A.
Abhuthahir and Vice chancellor Prof.
Dr. Thanabalan Murugesan of B. S.
Abdur Rahman Crescent deemed
University, Chennai on 07.02.2024.



Dr.S.Thangakasi rajan ASP&HoD/Mech
Visited MSME office, Chennai along
with Mr. A. Ravikumar on 07.02.2024.



Dr.S.Thangakasi rajan ASP&HoD/Mech
Visited Center for Research, Anna
University, Chennai on 07.02.2024



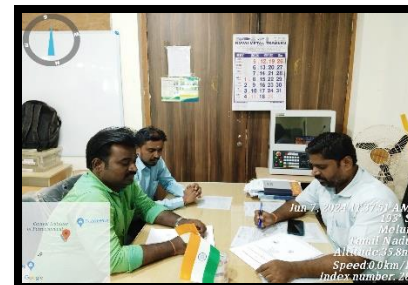
Mr. B.K. Parrthipan AP/Mech attended as
guest of honour and as Executive
member of IE Madurai chapter, on
02.12.2023 at Srividhya college of
Engineering and Technology.



Dr. P. Narayanasamy, ASP/Mech, Attended
PMU-B Brainpower Congress 2023 Frontier
Research to Future Industries by I
CONNEXT WITH YOU 18-20 Dec 2024 in
Dusit Thani Hua Hin Hotel, Cha-am
Petchburi 76120, Thailand.



Dr. S. Thanga Kasi Rajan and Dr. P.
Senthamarai Kannan interacted with
NAAC coordinator at Gyanotsav 2023 @
Subbalakshmi Lakshmipathy college,
Madurai, on 04.11.2023.



Dr.B.Balavairavan and Mr.B.K.Parrthipan
visited the CIPET, Madurai and interacted
with Department Head
Mr.Radhakrishnan regarding MoU on
07.06.2024.

FACULTY INTERACTIONS



Dr.K.Muruganathan AP/Mech attended two training program for “ **Mentor of Standard Club**” organized by **BUREAU OF INDIAN STANDARDS**” **Madurai Branch** from **20.07.2023 to 21.07.2023**.



Mr. B. K. Parrthipan AP/Mech attended “**Niral Thiruvila - problem statement workshop**” organized by **Tamilnadu Skill Development Corporation, GDP Hall, Collectorate, Virudhunagar** on **07.11.2023**.



Dr. S. Thanga Kasi Rajan ASP&HoD/Mech attended one day Engineering Education Seminar “**Empowering Next Generation Engineers**” organised by **ASME, Anna University and TNSDC** at **Anna University, Chennai, Date : 24.01.2024**.



Dr. S. Thanga Kasi Rajan ASP&HoD/Mech acted as session chair for the “**International Conference on Sustainable Development in Engineering and Technology - ICSDET '24**” at **K. L. N. College of Engineering, Madurai** on **05.04.2024**.



Dr. B. Balavairavan AP/ Mech acted as **Resource person** for the “**one day Guest Lecture on Heat and Mass Transfer**” at **Srividya College of Engineering ,Sivakasi** on **21.2.2024**.



Dr. S. Muthu Natarajan AP/Mech has **Delivered a “guest lecture on Engineering Mechanics”** at **Sri Vidya college of Engineering and Technology Virudhunagar** on **20.10.2023**.

FACULTY INTERACTIONS



Mr.B.K.Parrthipan AP/ Mech acted as a session chair cum judge for the event paper presentation contest organized by the institution of engineers (India), Madurai local centre, Madurai on 22.03.24



Dr. B. Balavairavan AP/Mech Delivered online webinar on “Eco-friendly Bio Films for Packaging Applications” on 04.08.2023, organised by Institute Innovation Council (IIC) Vaigai College of engineering Madurai.



Dr. S. Thanga Kasi Rajan, ASP&HoD delivered Guest Lecture on the topics “ Sizing the drive system: Matching the electric machine and the Internal Combustion engine” and “Pedagogical Issues – OBE, Question paper setting and Development of E-content” on 10.02.2024 in the six days Anna University CFPD Sponsored Faculty Empowerment Programme (FEP) on CME 336 – Hybrid and Electric Vehicle Technology held at Government College of Engineering, Sengipatti, Thanjavur from 05.02.2024 to 10.02.2024.

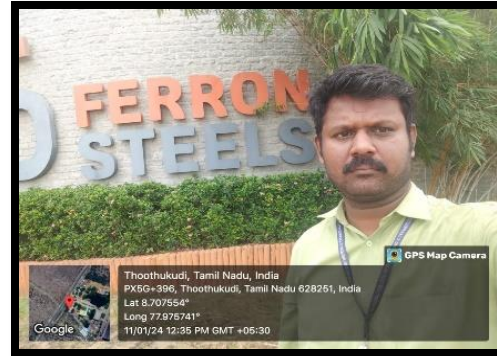


Dr.S.Thangakasi Rajan ASP&HoD delivered guest lecture on “Ideas For Innovative Projects” for the students of Arasan Ganesan Polytechnic college Sivakasi at their premise on 27/07/2023

INDUSTRY INSTITUTE INTERACTION



Dr. M. Prithiviraj AP/Mech visited Ruby industry on 11.07.2023 for consultancy work.



Mr. A. Sankaranarayana Murthy AP/Mech has visited M/s. FERRON STEELS, Tuticorin Dist. Today (11.01.2024) for placement.



Dr. M. Prithiviraj AP/Mech visited M/s. Raini Industries, Chennai on 19.02.2024.



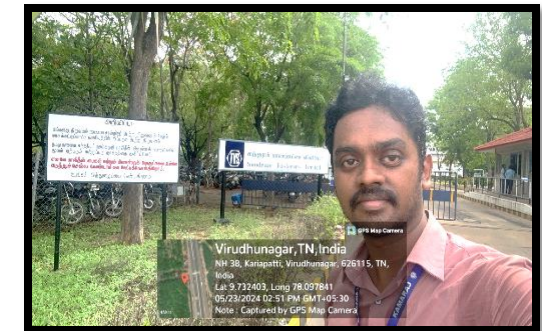
Dr. B. Balavairavan and Mr. B. K. Parrthipan visited the BIGSO Engineering Industry, Madurai on 07.06.2024.



Mr. R. Sakthivel Murugan AP/Mech, Dr. K. Muruganathan AP/Mech Mr. N. R. Madhan AP/Mech, Mr. D. Palanikumar AP/Mech and Mr. B.K. Parrthipan AP/Mech visited V.P.S.A Thillais Masala Industry, Virudhunagar on 10.02.2024.



Dr. S. Thanga Kasi Rajan ASP&HoD/Mech and Dr. M. Prithiviraj AP/Mech visited TVS Eurogrip Tyres, Madurai on 09.04.2024.

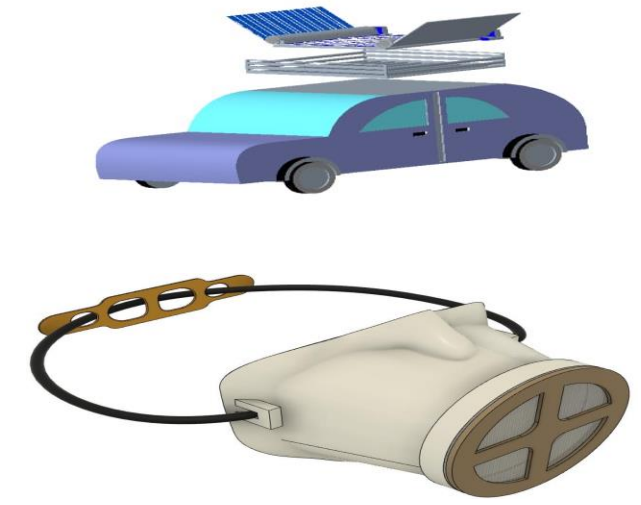


Dr. S. Muthunatarajan AP/Mech, visited TVS Sundaram Fasteners, Aviyur on 23.05.2024 and met the manager Mr. Nazer Hussian for internship and placement.

Students Achievements and Awards

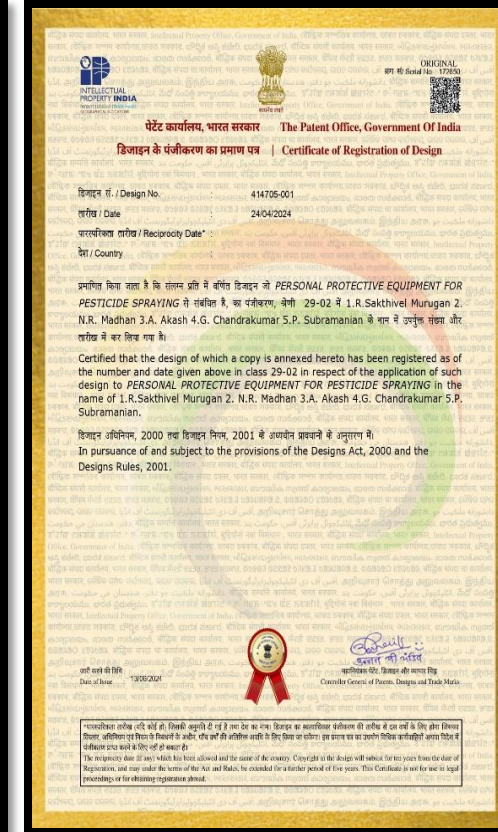
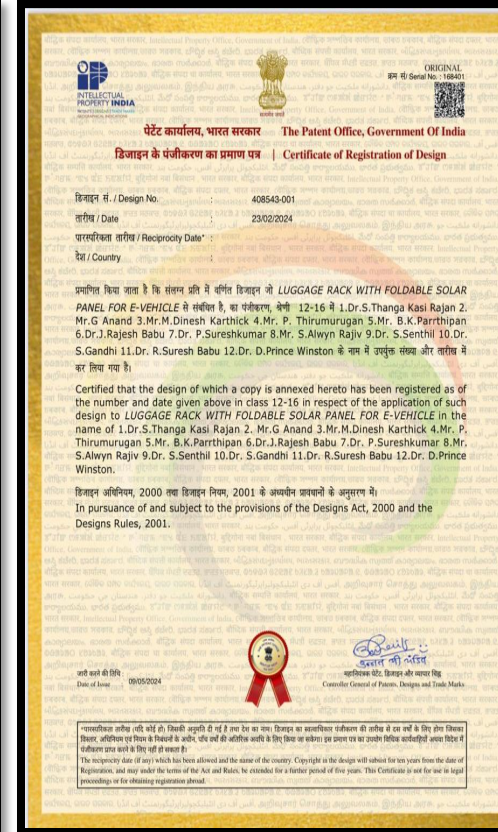
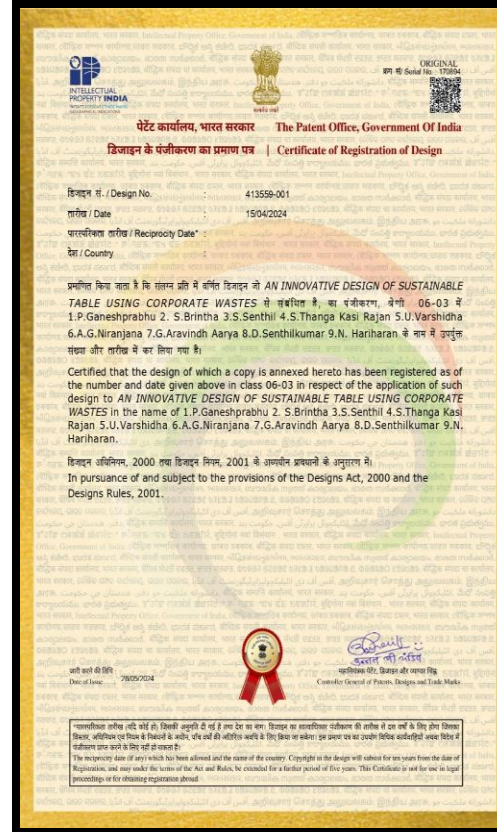
Patent granted

A Design patent titled “Personal Protective Equipment for Pesticide Spraying” (414705-001 / Date 24/04/2024) was granted to Final Year Mechanical Engineering Students Mr.A.Akash Mr.C.Chandrakumar and Mr.S.P.Subramanian Along with Faculty members Mr. R. Sakthivel Murugan AP/Mech Mr.N.R.Madhan AP/Mech



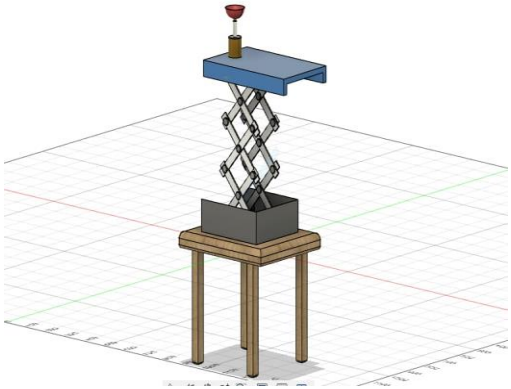
A Design patent titled “An Innovative Design of Sustainable Table using Corporate Wastes ” (413559-001/ Date : 15/04/2024) was granted to Third Year Mechanical Engineering Students Mr. N. Hariharan along with Faculty members Dr.S.Thangakasirajan ASP&HoD/Mech Dr.S.Senthil Prof/Mech

A Design patent titled “An Innovative Design in Luggage rack with foldable solar panel ” (408543-001/ Date 23/02/2024) was granted to Third Year Mechanical Engineering Students Mr.G. Anand Mr.M. Dinesh Karthick and Mr.P. Thirumurugan along with Faculty members Dr.S.Thangakasirajan ASP&HoD/Mech Dr.S.Senthil Prof/Mech Mr.B.K.Parrthipan AP/Mech



Design Patent Filed by Students

14 Third year students Batch Filed their project work as Design Patent

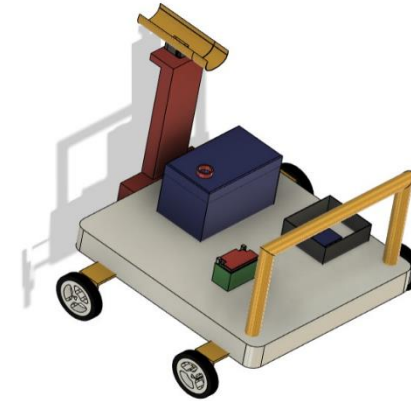


Project Title : Ceiling fan cleaning setup

Patent No : 389444-001 Date : 03/07/2023

**Students Name : M.Manojkumar
P.AkilanKarupaiya , K.Arul
Murugan**

**Guide Name :
Mr.B.K.Parrthipan AP/Mech**

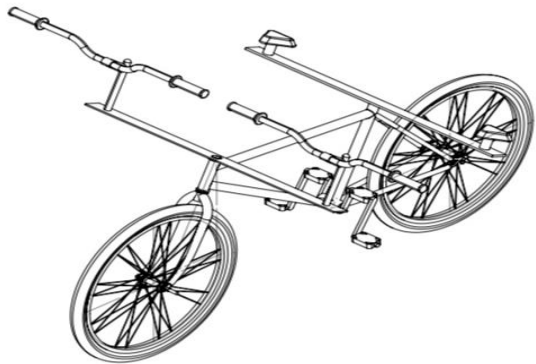


Project Title: Autonomous Fire Fighting Robot

Patent No : 409798-001 Date : 08/03/2024

**Students Name: S.Kishore,
A.Balaguru, N.Mohamed ashif**

**Guide Name :
Dr.S.Muthunatarajan AP/Mech**

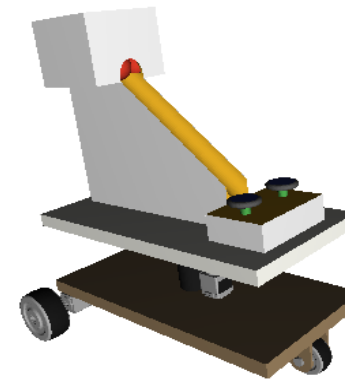


Project Title: Two-member bicycle Patent no : 391170-001

Date : 26/07/2023

**Students Name : AlitiaB.Almeda
S.Thirukumaran, G.R.Srivasan
K.M.Yogeswaran**

**Guide Name :
Mr.B.K.Parrthipan AP/Mech**



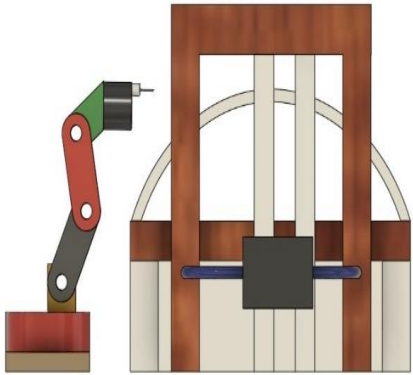
Project Title : Pesticide sprayer agribot

Patent no : 413985-001 Date : 18/04/2024)

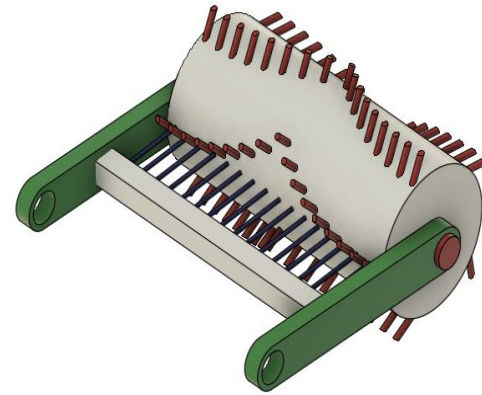
**Students Name : S.Kiran, V.Karan
K.sivabalan**

**Guide Name :
Dr. K.Muruganathan AP/Mech**

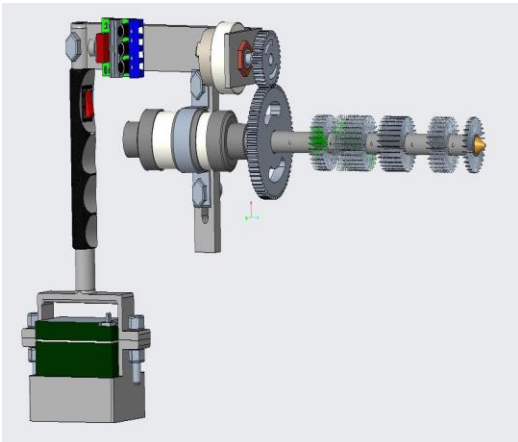
Design Patent Filed by Students



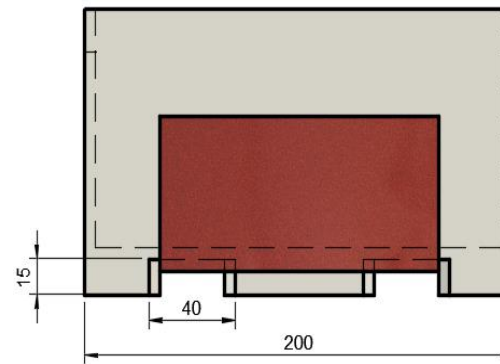
Project Title : IOT Enabled Automatic Syringe Injection Setup for Pet Animals
Patent No : 410445-001 **Date :** 13/03/2024
Student Name : J.Alwyn Joshua, S.Ramachandran , A.Asraf Mohamed
Guide Name : Dr.B.Balavairavan AP/Mech



Project Title : A novel spike weed puller with pigeon anterior view profiled structure for pulling out of plants and unwanted grass.
Patent No : 410715-001 **Date :** 16/03/2024
Students Name : M.Sakthivel, K.Vishnuvaradhan, C.Deepakkumar
Guide Name : Mr.N.R.Madhan AP/Mech



Project Title : 3D printed Low weight Portable Bottle Cleaner.
Patent No : 412683-001
Date : 05/04/2024
Students Name : Mr.P.Vingesh kumar , Mr. Nijoprasad, Mr.V.Sakthivel
Guide Name : Dr.M.Prithiviraj AP/Mech



Title : Design of medical tray box with enhanced stability for automatic lifting and delivery operation in medical shop
Patent no : 410256-001 **Date :** 12.03.2024
Students Name : N.Hariharan A.Kaliraj, S.Mithun
Guide Name : N.R.Madhan AP/Mech

Conference presentation in IIT's

Final year Mechanical Engineering students
Mr.P.Silamparasan,
Mr. P.Navaneethakrishnan, and
Mr. D.Vijay along with
Guide Dr. B. Balavairavan AP/ Mech
presenting poster titled “Fabrication and characteristics of eco friendly PVA/MAHP bio composites for packaging applications” in International conference (ICSMEA 2024) organized by IIT madras, Chennai on 03.02.2024



First year Mechanical Engineering students
Mr.S.Arun Prakash
Mr.B.Mayilkani
presenting paper titled “Effect of Alkali treatment and silver nitrate on physico – chemical, tensile and morphological properties of Similax zelanica plant fibers” in International conference (ICSMEA 2024) organized by IIT madras, Chennai on 03.02.2024

First year Mechanical Engineering students
Mr.D.V.Sahi
Mr.M.Varuneshbala
presenting paper titled “Crashworthiness Characterization on Thin-Walled Tube with Rubberized Coir Filled in Quasi Static Loading” in International conference (ICSMEA 2024) organized by IIT madras, Chennai on 03.02.2024



STUDENTS AWARDS AND ACHIEVEMENTS



Third year Mechanical Engineering student **Mr.N.Hariharan** was appreciated by “Rotary kingdom of Virudhunagar” for “Tamil Elocution competition”



Third year Mechanical Engineering Student **Mr. G.R.Srivasan**, has “**won First Prize**” in “Yoga competition in syllabus category” and “**Third Prize in Overall championship**”.



Second Year and Third year Mechanical Engineering Students **Mr. Dhanush** and **Mr. Karan** “**won medals in the National Integrity Marathon**” conducted by “Virudhunagar Goodwill Scouts”.



STUDENTS AWARDS AND ACHIEVEMENTS



Third year Mechanical Engineering students Mr. P.Thirumurugan, Mr. K.Shafiq Ahmed, Mr. O.B Kaushik and Mr. S. Mithun won Rs.1000/- cash prize in the event ENIGMA conducted by Department of Information Technology, Velammal Engineering College, Chennai.



Third Year Mechanical Engineering students Mr.M.Jegadeesh, Mr.K.Gokulraj, and Mr.M.Aravind Kumar won First Prize with cash of Rs 3000/- in Paper Presentation Competition (ELANZAA'24) Conducted in Bannari Amman Institute of Technology.



Third year Mechanical Engineering student Mr. G.R. Srivasan, has won first place in CHAMPION OF CHAMPION category in the 8th South Indian Level Yoga Championship 2024 held at Thiruvannamalai, Tamil nadu on 03.03.2024



Third Year Mechanical Engineering students Mr. Kaviyarasan and Mr. Madhav Venkatesh won First Prize in Paper Presentation .

Third Year Mechanical Engineering students Mr.Srivasan , Mr. Kannan and Mr. Pragadeeshwaran won first prize in Reverse Engineering.

in Technical competition Conducted by Thiagarajar College of Engineering, Madurai.



Third Year Mechanical Engineering students won prizes in Technical Competition Conducted by KPR Institute of Engineering and Technology.

First Prize in CAD Modelling

Mr. Sakthivel – Cash Prize Rs.1500

Second prize in CAD Modelling

Mr. Srivasan – Cash Prize Rs. 1000

Third prize in CAD Modelling

Mr. Yogeswaran - Cash Prize Rs. 500



Third Year Mechanical Engineering students Mr.G.Anand and Mr.M.Dinesh Karthick

Won First Prize in Paper Presentation

Conducted by JNN Institute of Engineering, Chennai on 28.03.2024

Students awards and Achievements



III year mechanical engineering student Alitia.B.Almeda (21UME029) Received Student Seed Money grant of Rs.6525/- for her project titled “Two member bicycle”,

Name of the guide –Dr.B.K.Parrthipan AP/Mech



Third year Mechanical Engineering Student Mr.S.Kiran (21UME013) “Got Summer Internship 2024 at NIT Tiruchirappalli”.

Faculty Mentor : Dr.Mallikarjuna Production Department / NITT



Mr. J. Alwyn Joshua, III year Mech, successfully completed the Industrial Training at Kohler Power India Pvt Ltd (Training Center) Training Module: KD441 Engine at Maharashtra, Aurangabad.

Date: 24.07.2023 to 27.07.2023

Students awards and Achievements

The project team is selected as Winner for Mini Techno vision 2K24 on 18.04.2024



Sakthivel M



Deepak Kumar C



Vishnuvardhan K

Guided By



Mr.N.R.Madhan

Project Title : Design And Fabrication Of A Novel Spike Weed Pillar With Pigeon Anterior View Profiled Structure For Pulling Out Of Plant And Unwanted Grass

The project team is selected as Runner for Mini Techno vision 2K24 on 18.04.2024



Veerandra Sevak P



Kausik O B



Shafiq Ahamed K

Guided By



Dr.M.Prithviraj

Project Title : Design And Fabrication Of Hardware Interface To Generate Electric Power From Parked Electric Vehicle

YUKTI - National Innovation Repository Project Contest

Final Year students S.Satheesh Kumar (20UME034)

M.Harisurya (20UME030) M.Kaviyaran (21UME019)

Mr.Hariharan (21UME011) participated 3rd round YUKTI -
National Innovation Repository

Innovation Id : IR2023-856850

Title: Design and fabrication of image sensing influenced
the harvesting of tender coconuts using a quad copter.

STUDENTS CO CURRICULAR AND EXTRA CURRICULAR

- No. of Industrial/Inplant Training attended – 185
- No of Internship attended – 115
- No of Value added courses completed - 07
- No of students got Elite + silver NPTEL courses – 3
- No of students got Elite in NPTEL Courses - 27



NATIONAL CADET CORPS

4D/28 TN BN NCC VIRUDHUNAGAR

CDT. DHANUSH K (II year Mech)
Our NCC Cadet, representing
Tamilnadu SNIC CAMP (PM RALLY)
from 17 Jan to 28 Jan 2024 at New
Delhi

First year Mechanical engineering Students (2022-23) got **Spring board Infosys** Certification for successful completion of **Python Fundamentals** course.

All second year Mechanical engineering Students (2022-23) completed the micro learning course on **ORTHOGRAPHIC PROJECTION FOR MECHANICAL COMPONENTS** offered by the L&T Edu Tech Micro learning Initiative.

Third year Mechanical engineering Students (2022-23) got **Spring board Infosys** Certification for successful completion of **Finite Element Analysis** course.

Second year students participated various event in **national level technical symposium** conducted by Department of Mechanical Engineering, **Velammal college of Engineering , Chennai**

STUDENTS PERFORMANCE IN 2023-24 (EVEN)

Students Placement



Outcomes – Students Placement
Total No of Students : 48
No of Students Placed : 37
Average Salary : 2.43 lakhs

Our Recruiters



Co-Curricular Activities	II Year Mech Students (Total Strength 31)	III Year Mech Students (Total Strength 43)	IV Year Mech Students (Total Strength 48)
Participation of Paper Presentation in Symposium	31	15	-
Patent filling by Students	-	43	-
Technical and Non technical events participation	31	20	-
Paper presentation in Conference (National/International)	-	9	48

STUDENTS INTERNSHIP

***22 of Students II year Mechanical Engineering got Internship in Various Industries ***

Sl.No	Name of the Industry	Students Name
1.	M/s. Rane Engine Valves, Trichy	22UME008 V. G.SUDHARSHAN 22UME023 T.S.KIRUBAJI 22UME025 S.BALAJI
2.	Nova Carbons, Tirunelveli	22UME010 M.VELMURUGAN 22UME018 B.PARAMASIVAN 22UME022 V.NAVEENSARATHI
3.	M/S. TVS Mobility, Madurai	22UME028 K.VISHWAMARUDHU 22UME029 N.KISHORE VIKRAM 22UME032 HARI BALAJI
4.	M/S. TVS Sundaram Fasteners, Madurai	22UME009 S.KARUPPASAMY 22UME024 R.SOLEESWARAN 22UME027 G.MANIKANDAN
5.	M/S. TVS Tyres, Madurai	22UME006 T.ABINASH 22UME011 T.AVINESH 22UME026 S.SIVAKANNAN
6.	M/S. Ramco Cements, Sattur	22UME003 P.SUBAN KUMAR 22UME004 M.SURENDAR KUMAR 22UME016 S.P. VIJAYAN
7.	M/S. TAFE ,Madurai	22UME001 J.MURUGAN 22UME014 V.AATHI 22UME020 ANIKET LAKRA
8.	M/S. Ajay Minerals, Virudhunagar	22UME005 S.VIGNESHWAR



Sundram Fasteners Limited

INDUSTRIES VISITED BY STUDENTS



II year mechanical engineering students visited viswesaraya industrial and technological museum and Customised Technologies Pvt Ltd, Bangalore on 27.10.2023.



II year mechanical engineering students visited “HAL Aerospace Museum Bangalore” on 28.10.2023.



III Year mechanical Engineering students visited the company “Government liquid bio fertilizer manufacturing unit”, kappalur, Madurai on 08.02.2024.



III Year Mech students attended a one day "workshop on 3D printing" conducted by PSG-Tifac Core in Product design and also visited the Automation and 3D printing labs on 30.10.2023.



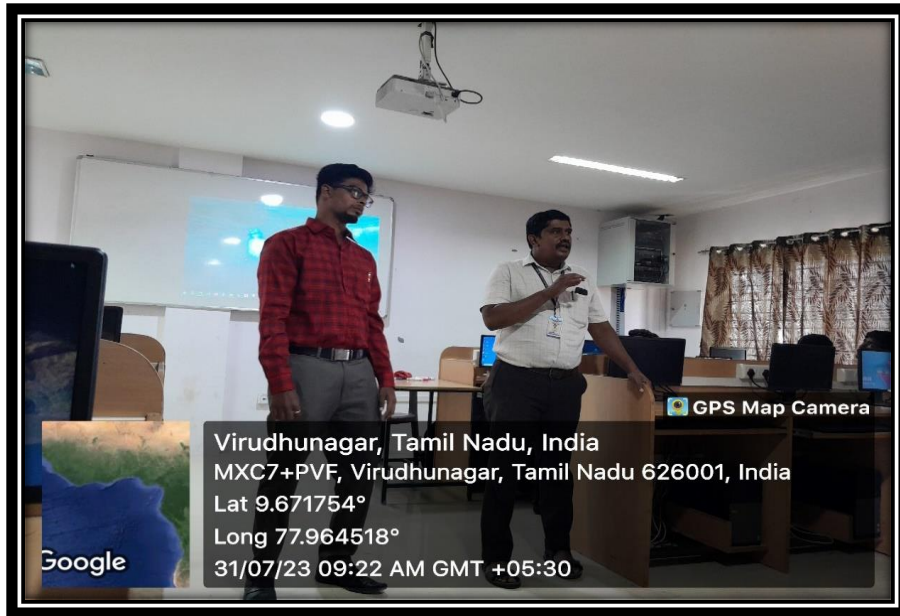
III year mechanical Engineering students visited the Sea blue ship yard and Anna Aluminium Cochin, Kerala on 05.10.2023.



III year Mechanical Engg Students attended MADITSSIA'S INDEXPO 2023 – Industrial Exhibition on 22.07.2023 organized by IDA-SCUDDER TRADE CENTRE at Velammal Medical College campus, Madurai.



VALUE ADDED COURSES COMPLETED



42 III Year Mechanical Engineering Students successfully completed the Value added course on “CATIA” from 31.07.2023 to 05.08.2023.

Resource person : Er. Jaffar, Application Engineer, Inventatec, Chennai.

.



31 II Year Mechanical Engineering students successfully completed the Value-added course on “CAD using Unigraphics-NX” from 13.02.2024 to 19.02.2024.

Central Institute of Petrochemicals Engineering & Technology CIPET Madurai and Department of Mechanical Engineering , KCET Jointly organised this Value added Programme.

ALUMNI INTERACTION



Er. JASWANTHRAJ.S (2022 pass out), interacted with III year Mechanical students on “Higher study opportunities in Germany”
Date : 18.01.2024.



Mr. Navaneetha krishnan - Engineer Indocool Ltd, interacted with final year mechanical Engineering students and discussed about “Expectation of core Industry”.

Date : 31.08.2023.

Mr. Subash Raj -Engineer TCS, Chennai, interacted with final year mechanical Engineering students and discussed about “software company expectations” .

Date : 31.08.2023.



Mr.Mohamed Ukkasha, Mr. Jamal Ahamed, and Mr. sathiya seelan (2018-22 Alumni) delivered a guest lecture for III year Mechanical Engineering students on “Current opportunities in foreign countries”, “State govt. job” and “Central govt. job for Engineering Graduates.

Date :22.08.2023.



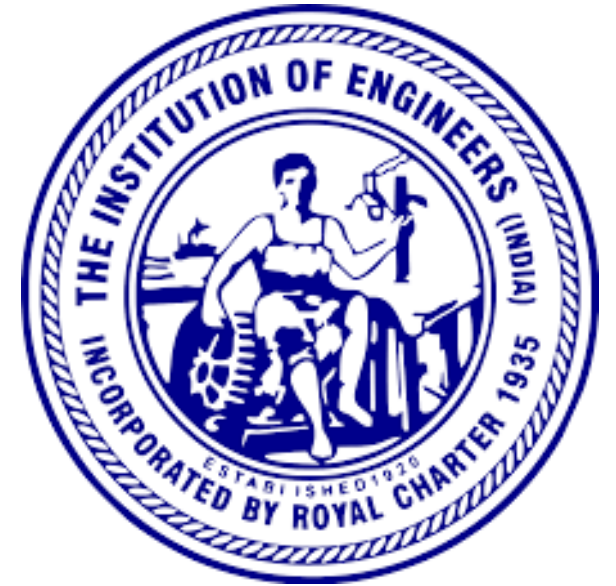
Mr.Janarthanan (2015-2019 passed out) Telecommunications, Chennai Had Alumni interaction with II and IV year students on 02.08.2023

Topic : Expectation of Industry.



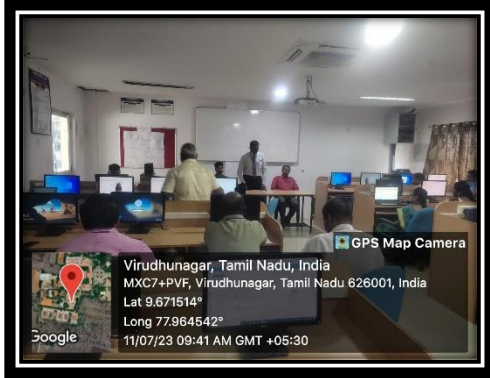
Alumni Event “Resume Writing and Interview Preparation” – Resource person Mr. J. Indirajit, Managing Director, GJ SURGICAL & Pharma Participant IV year students, date: 28.07.2023.

Professional Society

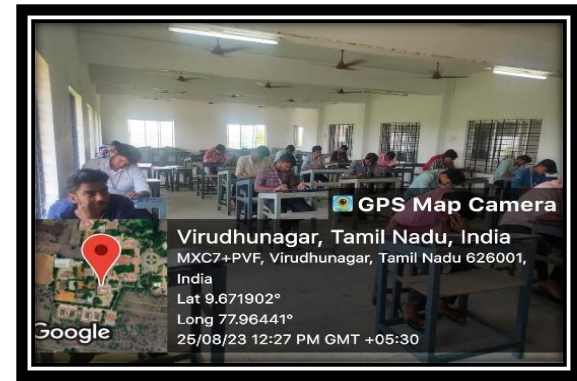


**Standard
Club**

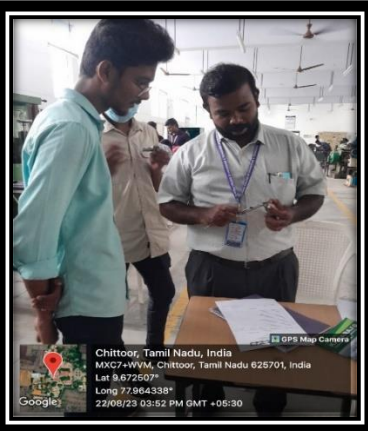
PROFESSIONAL SOCIETY & CLUB ACTIVITIES



Department of Mechanical, in association with ISTE Faculty chapter has jointly organized Three Day Faculty Development Programme on "Internet of things". on 11, 13 & 14.07.2023.



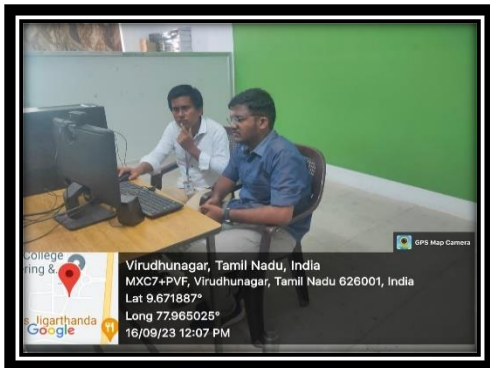
26 Mechanical Engineering from standards club have attended Quiz program on "BIS standards and quality" conducted for standard club members on 25.08.2023.



All third year Mechanical Engineering students participated, ISTE Event "Mr.Machinist", conducted on 22.08.23.



All Final year Mechanical Engineering students participated, ISTE Event "Mr. Artificer", conducted on 25.08.23.



III Mechanical Engineering Students, Kiran and Sivasethurajan attended National Level Fluid Power Quiz Challenge via Online on 16.09.23 organized by FPSI.

Events Organized by Department (2023-2024) Total 28 Events

S.No.	Date of Event	Name of the Event
1	11.07.23 & 12.07.23	Hands on Workshop on Cycle Design Challenge
2	11.07.23, 13.07.23 & 14.07.23	3 days FDP on Internet of Things
3	17.07.23 to 22.07.23	One week FDP on Additive Manufacturing
4	21.07.23	Building Data Pipeline for Automotive Data Analytics
5	11.08.23	Awareness Programme on Quality and Standards
6	29.08.23	Fictitious Interview
7	09.10.23 & 14.10.23	Work shop on Two-Wheeler Assembly and Disassembly
8	06.03.24	Guest Lecture on Why to Choose IT Job
9	21.02.24	Awareness session on Start-up
10	09.01.24	Awareness Program on Niral Thiruvizha
11	12.03.24	Guest lecture on Awareness program on "WORLD CONSUMER RIGHTS DAY CELEBRATION"
12	16.04.24	Project Contest – Project Expo

